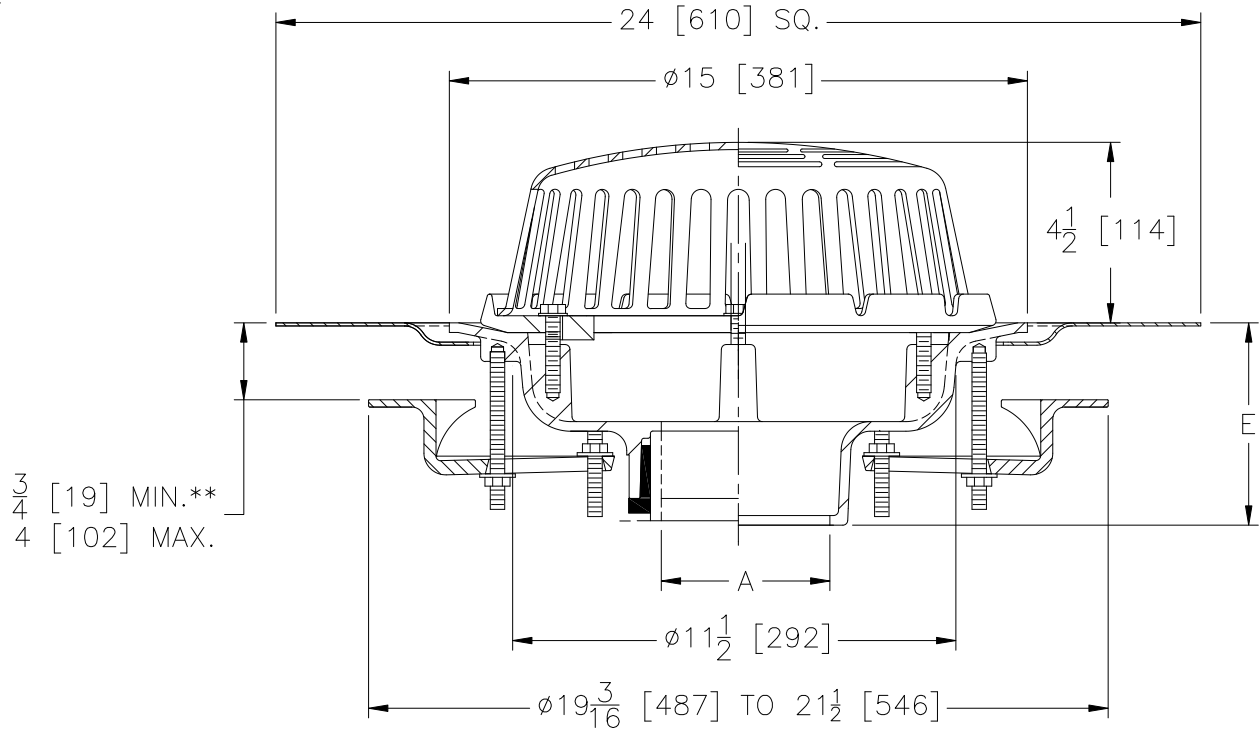




# Z100, Z121

## ROOF DRAIN UNDERDECK CLAMP ASSEMBLY

Dimensional data (inches and [mm]) are subject to manufacturing tolerances and change without notice.



Underdeck clamp can only be used with:  
 Z100 Sizes 2, 3, 4, 6, 8 [51, 76, 102, 152, 203]  
 Z121 Sizes 2, 3, 4, 6 [51, 76, 102, 152]

\*\* With standard studs. Longer studs available upon request.

**⚠ WARNING:** Cancer and Reproductive Harm - [www.P65Warnings.ca.gov](http://www.P65Warnings.ca.gov)  
**⚠ ADVERTENCIA:** Cáncer y daño reproductivo - [www.P65Warnings.ca.gov](http://www.P65Warnings.ca.gov)  
**⚠ AVERTISSEMENT:** Cancer et effets néfastes sur la reproduction - [www.P65Warnings.ca.gov](http://www.P65Warnings.ca.gov)

\*Regularly furnished unless otherwise specified.

**Zurn Industries, LLC | Specification Drainage Operation**  
 1801 Pittsburgh Avenue, Erie, PA U.S.A. 16502 · Ph. 855-663-9876, Fax 814-454-7929  
 In Canada | **Zurn Industries Limited**  
 3544 Nashua Drive, Mississauga, Ontario L4V 1L2 · Ph. 905-405-8272, Fax 905-405-1292  
[www.zurn.com](http://www.zurn.com)

Rev. B  
 Date: 7/09/2018  
 C.N. No. 140273  
 Form No. RD2-ICF