



ZPTSP BARRIER TRAP SEAL DEVICE FOR SHALLOW FLOOR DRAINS INSTALLATION INSTRUCTIONS

Design and Dimensional Data (inches and [mm]) are Subject to Manufacturing Tolerances and Change Without Notice

ZPTSP CAN ONLY BE INSTALLED IN VERTICAL SCHEDULE 10 PIPE WITH A MINIMUM LENGTH OF 6”.

ZPTSP MUST BE INSTALLED WITH A P-TRAP.

For 2” and 3” New and Retro-Fit Installation:

1. Remove screws and strainer from installed drain. Make sure drain outlet is clear of any debris or obstructions prior to installing the ZPTSP. See Fig. 1.

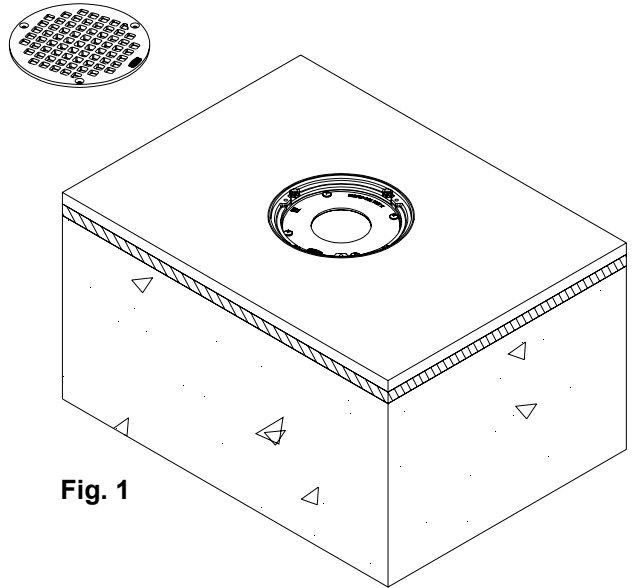


Fig. 1

2. Ensure ZPTSP is properly assembled. See Fig. 2.

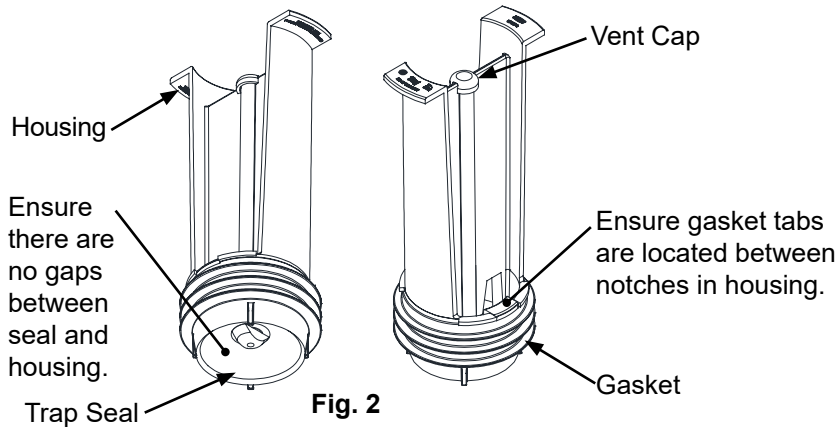


Fig. 2

3. Align ZPTSP above the center of the drain assembly. See Fig. 3.

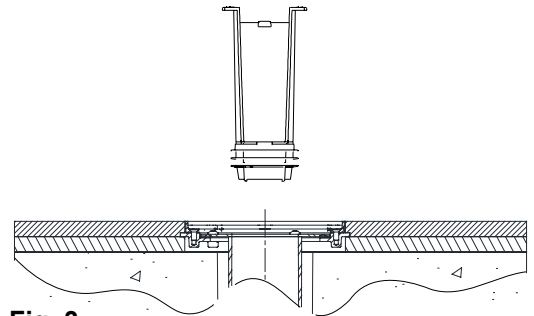


Fig. 3

- ⚠ **WARNING:** Cancer and Reproductive Harm - www.P65Warnings.ca.gov
- ⚠ **ADVERTENCIA:** Cáncer y daño reproductivo - www.P65Warnings.ca.gov
- ⚠ **AVERTISSEMENT:** Cancer et effets néfastes sur la reproduction - www.P65Warnings.ca.gov

Zurn Industries, LLC | Specification Drainage Operation
1801 Pittsburgh Avenue, Erie, PA 16502, Ph. 855.663.9876

In Canada | Zurn Industries Limited
7900 Goreway Drive, Unit 10, Brampton, Ontario L6T 5W6, Ph. 877.892.5216

www.zurn.com

Rev. -
Date: 2/26/2024
C.N. No. 145296
Patent zurn.com/patents
Prod. | Dwg. No. T34 Page 1 of 2



ZPTSP BARRIER TRAP SEAL DEVICE FOR SHALLOW FLOOR DRAINS INSTALLATION INSTRUCTIONS

Design and Dimensional Data (inches and [mm]) are Subject to Manufacturing Tolerances and Change Without Notice

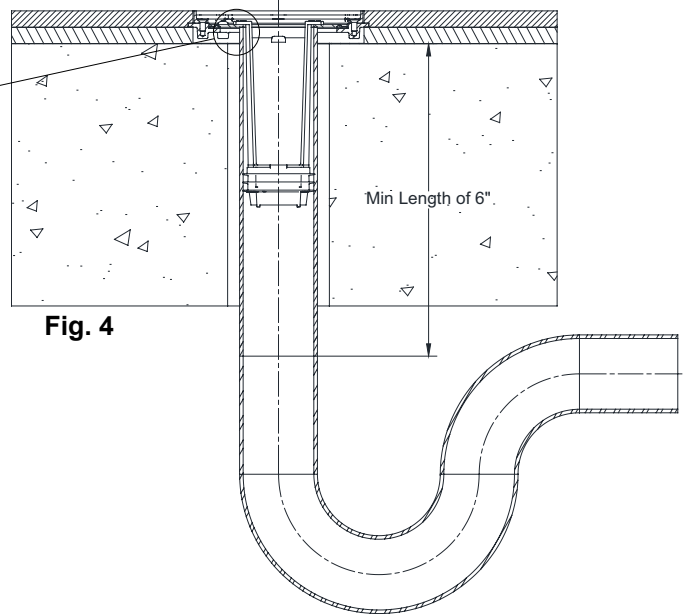
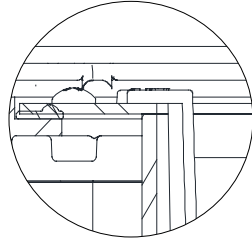


Fig. 4

4. Push ZPTSP into the outlet pipe until the underside of the barrier trap is flush with the top of the outlet pipe. See Fig. 4.
Note: Lubricating the gasket is not recommended.
Caution: The device must not be submerged in the water of the p-trap.
5. Verify trap seal is fully seated after installation, ensuring no wrinkles. See Fig. 2 for proper orientation.
Note: If trap seal is not fully seated, gently adjust trap seal until it is oriented properly.

6. Replace strainer and screws per drain installation instructions. Fig. 5.

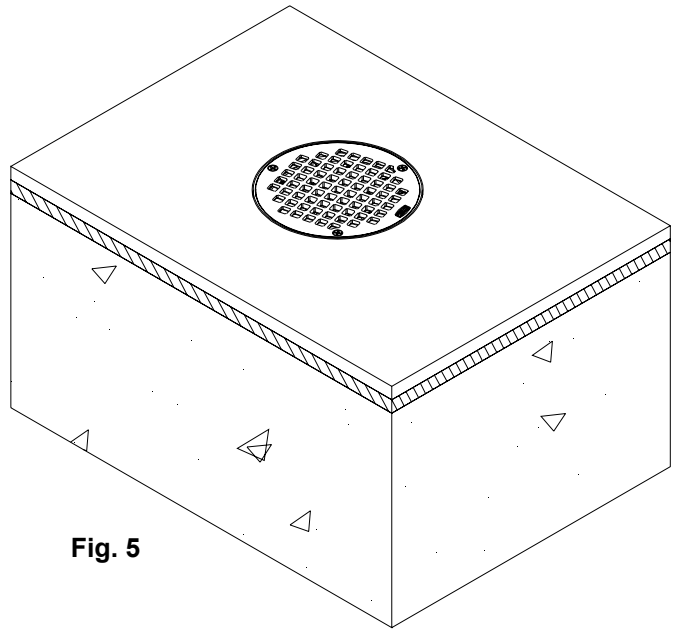


Fig. 5

CAUTION: When removing ZPTSP for maintenance, pull the device out slowly to prevent the gasket from falling into the outlet. Ensure not to remove the device by the vent cap. See Fig. 2.

- ⚠ **WARNING:** Cancer and Reproductive Harm - www.P65Warnings.ca.gov
- ⚠ **ADVERTENCIA:** Cáncer y daño reproductivo - www.P65Warnings.ca.gov
- ⚠ **AVERTISSEMENT:** Cancer et effets néfastes sur la reproduction - www.P65Warnings.ca.gov

Zurn Industries, LLC | Specification Drainage Operation
1801 Pittsburgh Avenue, Erie, PA 16502, Ph. 855.663.9876

In Canada | Zurn Industries Limited
7900 Goreway Drive, Unit 10, Brampton, Ontario L6T 5W6, Ph. 877.892.5216

www.zurn.com

Rev. -
Date: 2/26/2024
C.N. No. 145296
Patent zurn.com/patents
Prod. | Dwg. No. T34 Page 2 of 2