



# Accumutrol® Z1712 Series

## Installation, Operation, and Maintenance Instructions

### INSTALLATION

1. The Accumutrol should be located upstream from, but close to, the washer or other quick closing valve. It should always be mounted in an upright position with its long axis vertical.
2. Installation should be as shown schematically in Figure 1 or Figure 2 (see reverse side). In most cases, an arrangement per Figure 1 is satisfactory. In cases where the system will be drained frequently, the arrangement of Figure 2 is recommended to prevent trapping of excess air in the Accumutrol at each re-filling of the system as this could require occasional bleeding of the excess air from the unit. Thus, Figure 2 arrangement will eliminate the need for more frequent checking of the precharge pressure in the unit when the system is to be drained each night or over week-ends. Note the shut-off valve and drain valve are necessary to facilitate precharging and maintenance of the unit.
3. Keep shut-off valve closed and drain valve open until system is ready to be put in operation.
4. Be sure all supply piping is securely anchored. With high flow rates through solenoid or other automatic valves, any accumulator will allow some pressure surge in the line when the valve closes. The Accumutrol should keep this pressure surge below dangerous levels, but even a slight surge will tend to cause movement of the piping. Therefore, the Accumutrol and supply lines in the system must be well supported and anchored to prevent pipe movement and undue stress on pipe and fittings.

### OPERATION

#### Start Up

1. With shut-off valve still closed, close drain valve and open gage valve.
2. Operate equipment to establish normal flow in the supply line. Open shut-off valve, read pressure on gage, close shut-off valve, and slowly shut off flow in the supply line. The pressure read on the gage is the flowing (residual) pressure. This entire operation should be accomplished in a manner that will not allow the quick closing valve to close rapidly or in a manner that can cause water hammer in the system.

3. With the shut-off valve closed and drain valve open, open the gage valve and introduce compressed air into the Accumutrol to bring the pressure to 75% of the flowing pressure as read in 2 above.
4. Close both the drain and gage valves, open the shut-off valve and the Accumutrol will be in operation.

**Note:** Maximum Pressure: 200 PSI Residual  
Maximum Temperature: 500°F

### MAINTENANCE

1. It is recommended that the precharge pressure, as established in 3 above, be checked periodically. This should be done daily just after start-up and once a week thereafter. This only involves closing the shut-off valve, opening the gage valve and drain valve, and reading the pressure. If the precharge pressure is low, add air; if it is above the flowing pressure as determined in 2 above, bleed air out of the Accumutrol. Close both gage and drain valves and open the shut-off valve to put the unit back in service. Such adjustment should be required very infrequently.
2. If at any time it appears the unit is not holding its precharge pressure, close the shut-off valve, open the drain valve, and bleed off the air from the unit. Remove the bottom cap of the Accumutrol and inspect the neoprene seat and the spheroidal piston and if damaged, replace them.\* Any other loss of precharge pressure should be traceable to leaks in the system.

**\*Note:** Brass insert in neoprene seat should be installed with inside chamfer up.

**⚠ WARNING:** Cancer and Reproductive Harm - [www.P65Warnings.ca.gov](http://www.P65Warnings.ca.gov)

**⚠ ADVERTENCIA:** Cáncer y daño reproductivo - [www.P65Warnings.ca.gov](http://www.P65Warnings.ca.gov)

**⚠ AVERTISSEMENT:** Cancer et effets néfastes sur la reproduction - [www.P65Warnings.ca.gov](http://www.P65Warnings.ca.gov)

\*Regularly furnished unless otherwise specified.

# Accumutrol® Z1712 Series

## Installation, Operation, and Maintenance Instructions

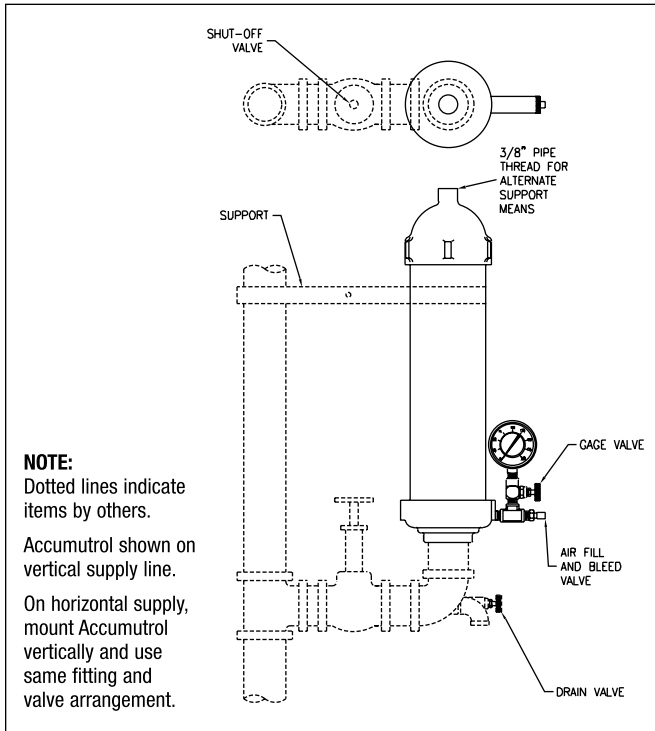


Figure 1

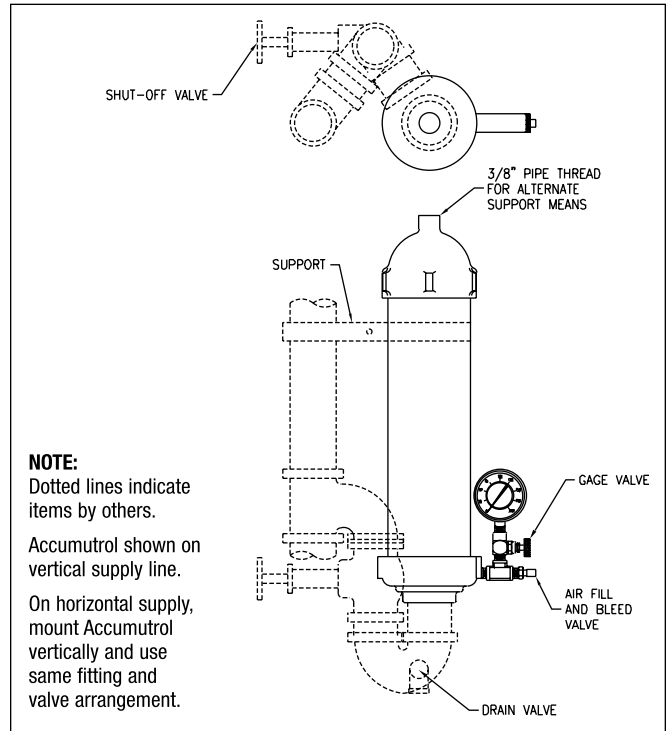


Figure 2



**ZURN PLUMBING PRODUCTS GROUP** SPECIFICATION DRAINAGE OPERATION  
1801 PITTSBURGH AVENUE, ERIE, PA, U.S.A. 16502 PHONE: 814/455-0921 FAX: 814/454-7929 WEBSITE: [www.zurn.com](http://www.zurn.com)