

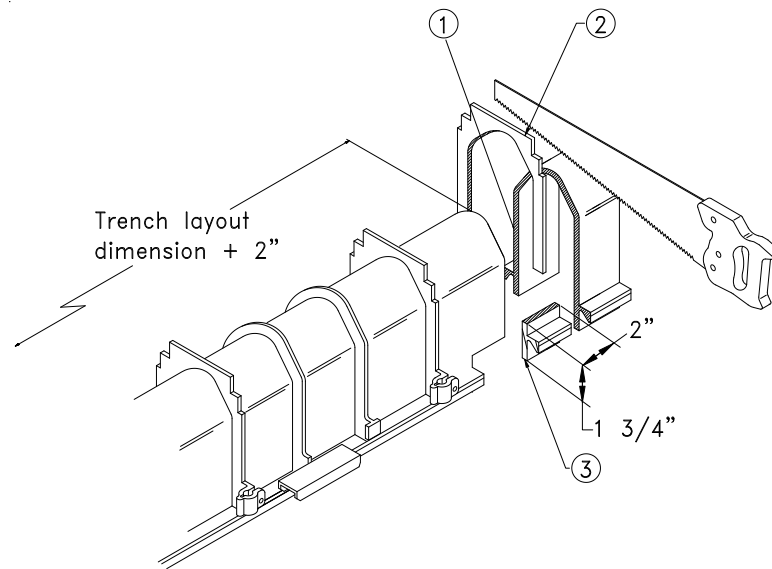


# Z886 INTO Z887

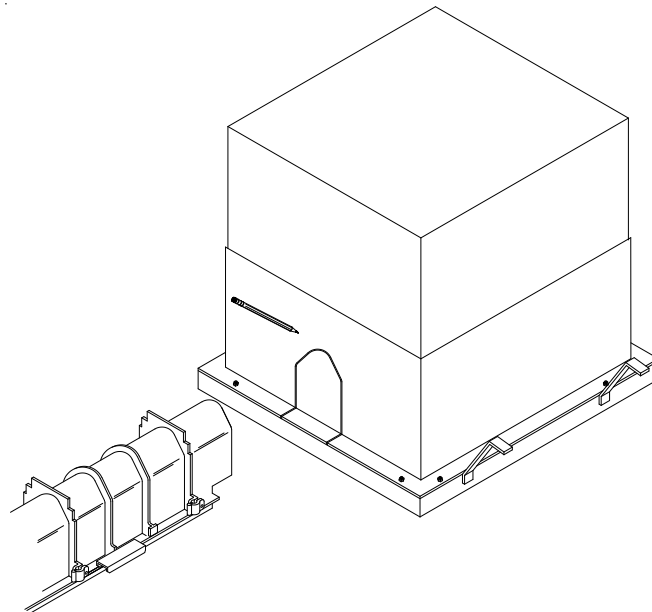
## CATCH BASIN FABRICATION INSTRUCTIONS

Dimensional data (inches and [mm]) are subject to manufacturing tolerances and change without notice.

1. Determine length of trench section from layout drawing. Add 2" [51mm] to that dimension and cut trench to that length.
2. Cut out ribs flush with trench wall, if required.
3. Cut and remove 2" x 1-3/4" [51mm x 44mm] notched material as shown.



4. Place the basin and the incoming trench section upside down on flat surface as shown. Align the MALE end of the trench section with the catch basin and trace the trench profile on the end of the basin.



**⚠ WARNING:** Cancer and Reproductive Harm - [www.P65Warnings.ca.gov](http://www.P65Warnings.ca.gov)  
**⚠ ADVERTENCIA:** Cáncer y daño reproductivo - [www.P65Warnings.ca.gov](http://www.P65Warnings.ca.gov)  
**⚠ AVERTISSEMENT:** Cancer et effets néfastes sur la reproduction - [www.P65Warnings.ca.gov](http://www.P65Warnings.ca.gov)

Zurn Industries, LLC | Specification Drainage Operation  
1801 Pittsburgh Avenue, Erie, PA U.S.A. 16502 · Ph. 855-663-9876, Fax 814-454-7929  
In Canada | Zurn Industries Limited  
3544 Nashua Drive, Mississauga, Ontario L4V 1L2 · Ph. 905-405-8272, Fax 905-405-1292  
[www.zurn.com](http://www.zurn.com)

Rev. A  
Date: 6/1/2018  
C.N. No. 140053  
Form No. FT502



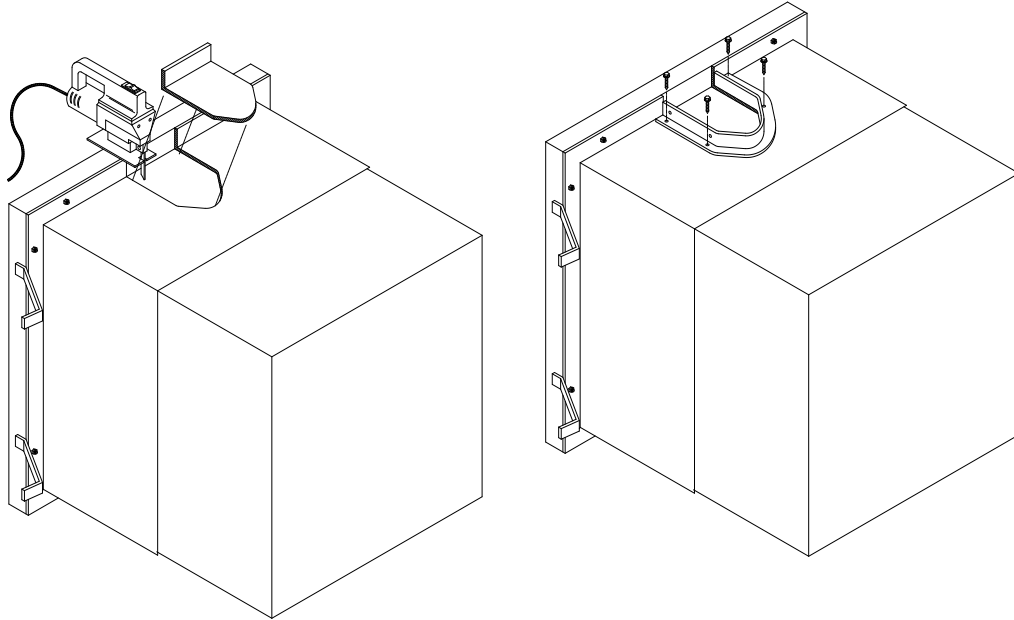
# Z886 INTO Z887

## CATCH BASIN FABRICATION INSTRUCTIONS

Dimensional data (inches and [mm]) are subject to manufacturing tolerances and change without notice.

5. The cutout for the incoming trench can be made easily with a reciprocating saw as shown.

6. Cut inlet adaptor to the correct depth and place as shown below. Drill 4 holes evenly spaced and thread screws through the adaptor into the catch basin.



7. Attach the incoming trench section with the hardware provided to complete the connection. Silicone adhesive may be used to keep debris from building up in the connection.

Note: Utilize the same procedure for 12 x 24 basin and -HD and Non-HD applications.

\*\*All catch basins to be installed with a minimum 4" [102mm] of concrete on all four sides and bottom.\*\*

