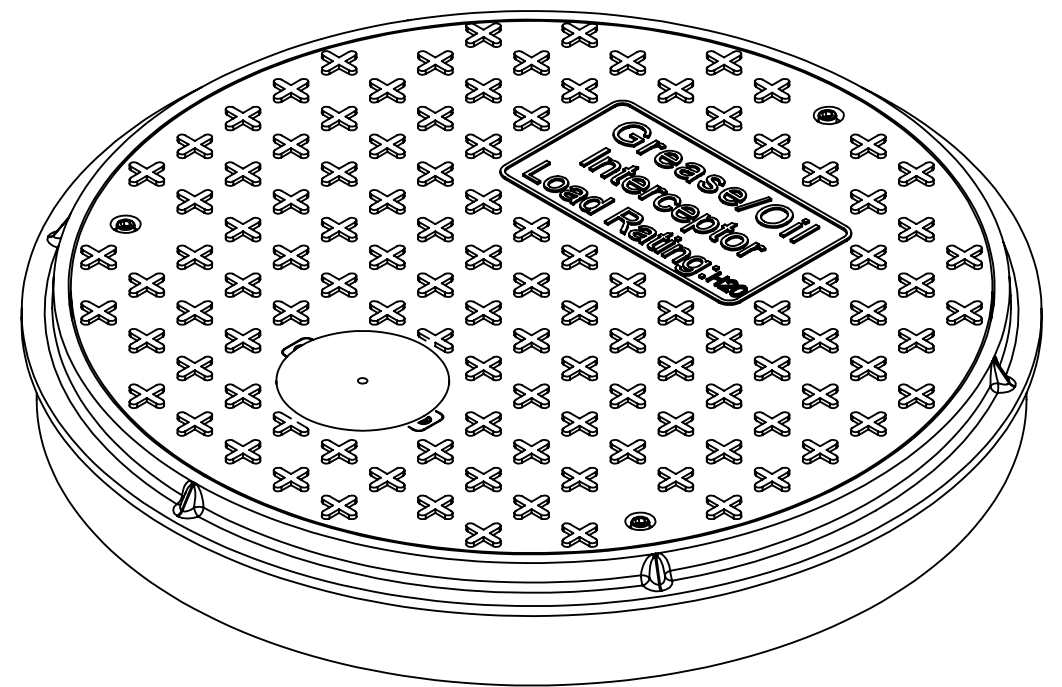
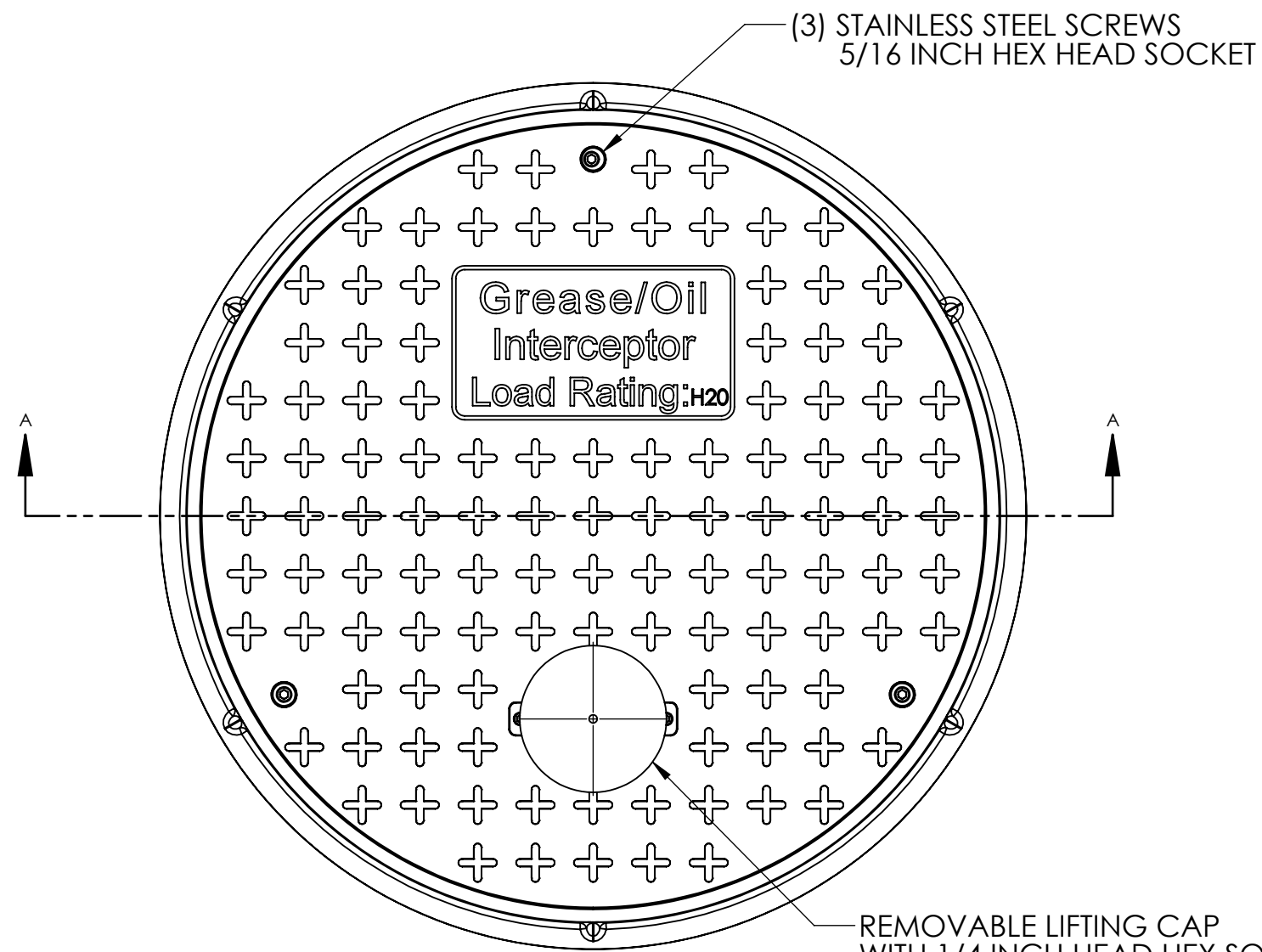


8 7 6 5 4 3 2 1

D



D

C

B

B

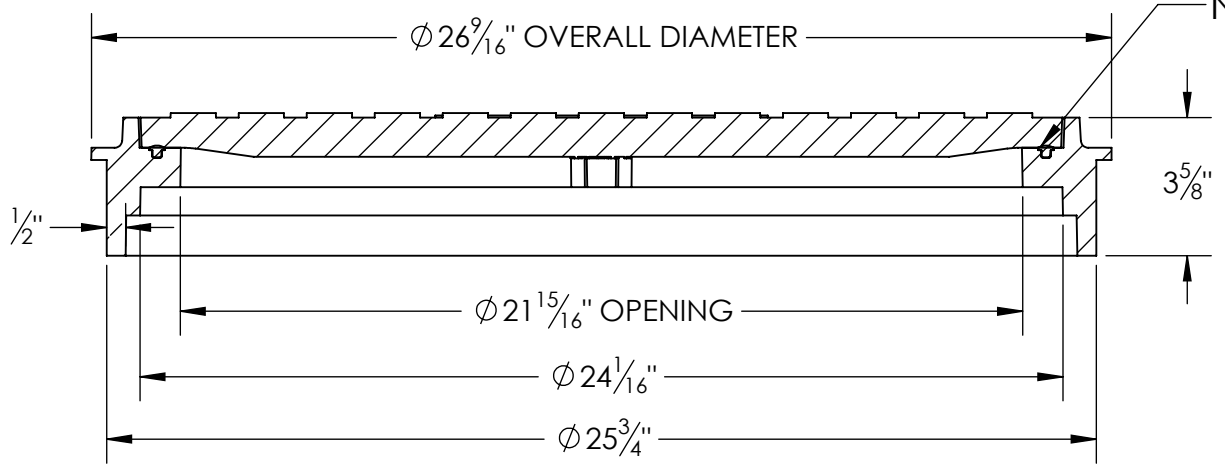
A

(3) STAINLESS STEEL SCREWS
5/16 INCH HEX HEAD SOCKET

REMOVABLE LIFTING CAP
WITH 1/4 INCH HEAD HEX SOCKET

NOTES:

1. LOAD RATING "H20". SAFE LIVE LOAD: 32,000 LBS
2. WEIGHT: 50 LBS
3. MATERIAL OF FABRICATION: FIBERGLASS REINFORCED PLASTIC
4. INCLUDES NEOPRENE GASKET
5. HARDWARE:
5/16" SS WASHER
5/16" RUBBER WASHER
5/16" SS SCREW
5/16" BRASS INSERT



SECTION A-A

ALL DIMENSIONS IN INCHES UNLESS OTHERWISE STATED	MATERIAL:				TITLE: 24 INCH FRP ROUND FRAME AND COVER	DWG. NO: GT0950	REV: 2	Proceptor ZURN
	WEIGHT (lb): 50	DRAWN	NAME SM	DATE 7/31/18				
	DO NOT SCALE DRAWING	CHECKED						
					SHEET 1 OF 1	SCALE: 1:5	SIZE: B	

THE INFORMATION CONTAINED IN THIS DRAWING IS THE SOLE PROPERTY OF GREEN TURTLE TECHNOLOGIES Ltd. ANY REPRODUCTION IN PART OR AS A WHOLE WITHOUT THE WRITTEN PERMISSION OF GREEN TURTLE TECHNOLOGIES Ltd. IS PROHIBITED.

8 7 6 5 4 3 2 1