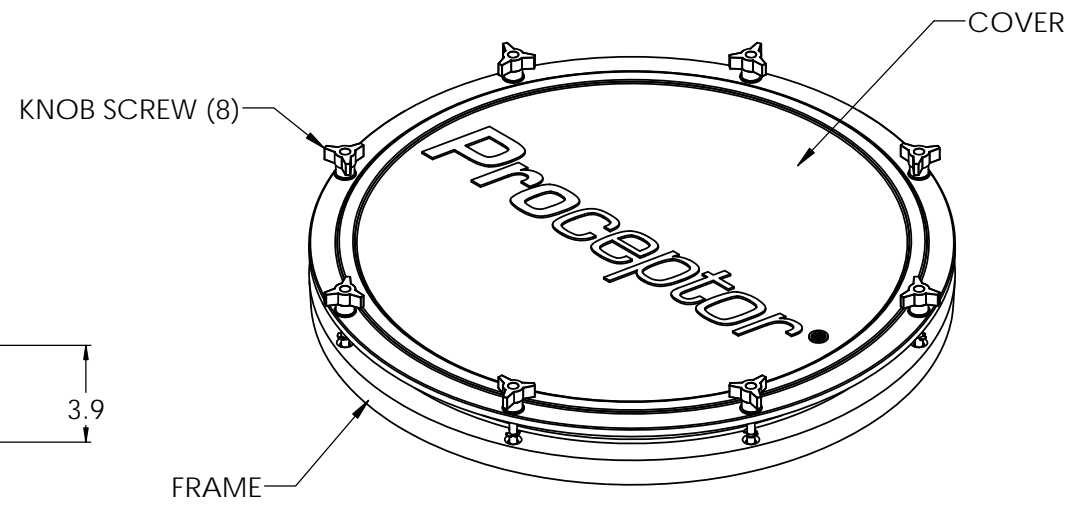
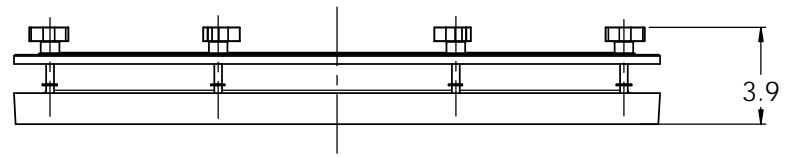
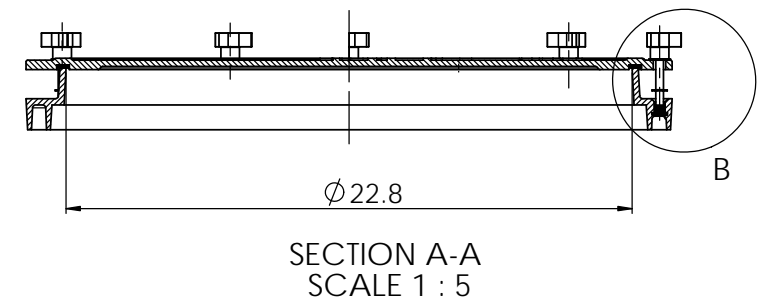
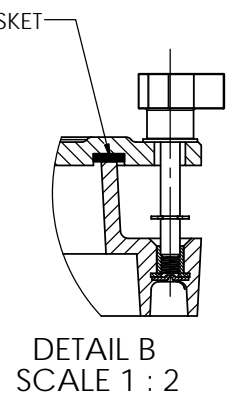
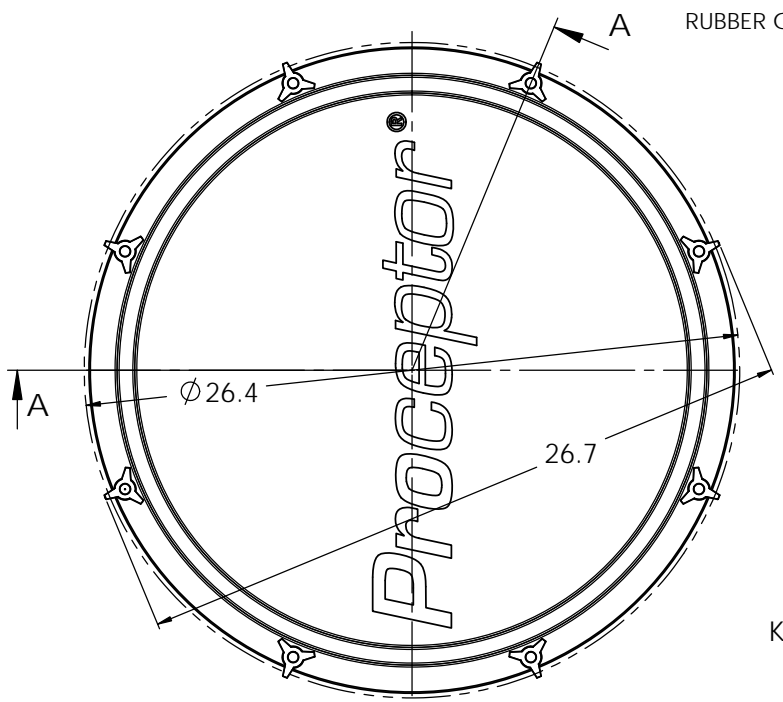


8 7 6 5 4 3 2 1

NOTES:

- FOR INSTALLATION ON $\phi 24"$ ACCESSWAYS ON TOP OF ABOVE GROUND INTERCEPTORS AND HOLDING TANKS
- FACTORY GLASSED TO TANK TOP
- TO SUPPRESS ODOURS FROM INSIDE TANK
- FIBERGLASS REINFORCED PLASTIC
- GASKETED AND WITH KNOB SCREWS (8)
- 150 LB LOAD RATING



D
B
A

D
C
B

UNLESS STATED OTHERWISE DIMENSIONS ARE INCH	MATERIAL:				TITLE: F FC AG ABOVE GROUND FRAME AND COVER	DWG. NO: GT0207	REV: 5	
	WEIGHT (lb):	DRAWN	NAME	DATE				
	15.3	LD		14Apr11				
DO NOT SCALE DRAWING	CHECKED				SHEET 1 OF 1	SCALE: 1 : 5	SIZE: B	

THE INFORMATION CONTAINED IN THIS DRAWING IS THE SOLE PROPERTY OF GREEN TURTLE TECHNOLOGIES Ltd. ANY REPRODUCTION IN PART OR AS A WHOLE WITHOUT THE WRITTEN PERMISSION OF GREEN TURTLE TECHNOLOGIES Ltd. IS PROHIBITED.

8 7 6 5 4 3 2 1