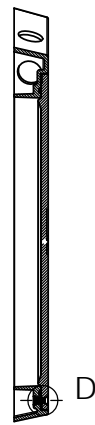
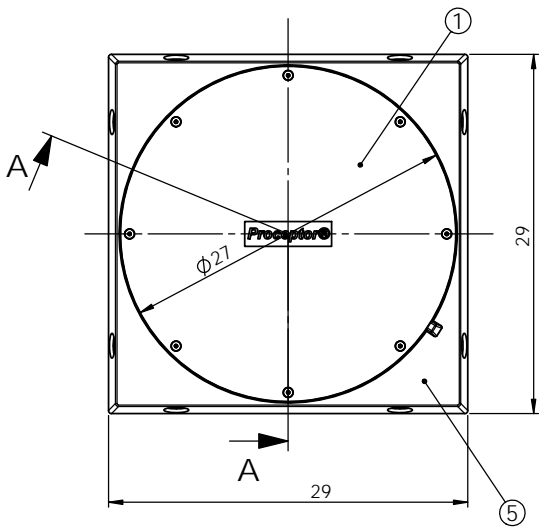
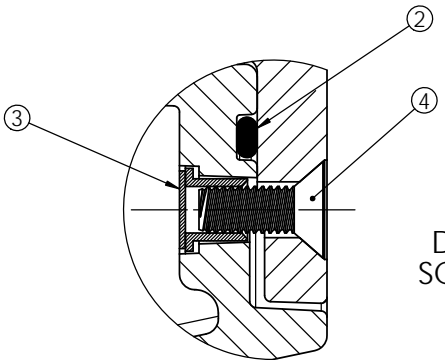
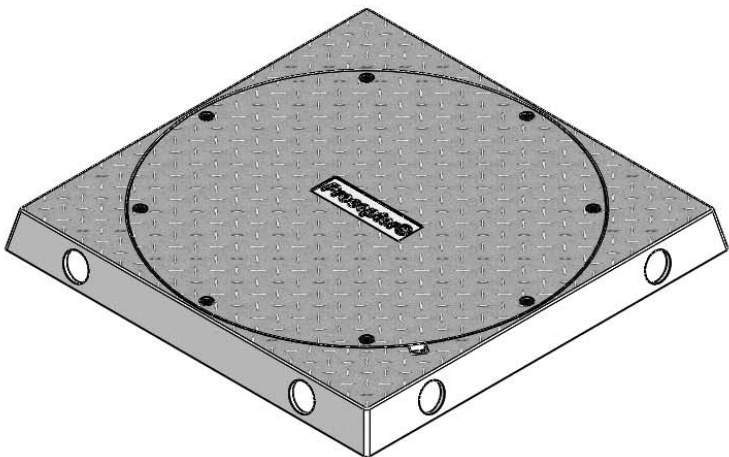


REVISIONS			
REV.	DESCRIPTION	REV'D BY	DATE
6	PRY POCKET ADDED		13/02/2012
7	PROCEPTOR NAME ADDED	S.M.	11/07/2012



SECTION A-A



DETAIL D  
SCALE 1 : 1

ITEM	DESCRIPTION	MAT	REV	DWG#	QTY
5	FRP FRAME	FRP	4	GT0076	1
4	SOCKETED HEAD SCREW 3/8"-16	316 ST STEEL			8
3	ROTALOC THREADED INSERT SS-F2-CT38 3/8-16 x 0.50	316L ST STEEL			8
2	O-RING AS568B-473	EP600			1
1	FRP COVER	FRP	2	GT0077	1
<b>BOM</b>					

NOTES:  
1. COVER 1 MUST FIT ON FRAME 6 IN ANY ANGULAR INCREMENT OF 45 DEG.

UNLESS STATED OTHERWISE DIMENSIONS ARE INCH	MATERIAL:			TITLE:			DWG. NO:	REV:	
	WEIGHT (lb):	DRAWN	NAME	LD	DATE	<b>FC FRP B8</b>		<b>7</b>	
	38.2				11/07/2012	SHEET 1 OF 1		SIZE:	
DO NOT SCALE DRAWING	CHECKED					SCALE: 1:10		<b>B</b>	
THE INFORMATION CONTAINED IN THIS DRAWING IS THE SOLE PROPERTY OF GREEN TURTLE TECHNOLOGIES Ltd. ANY REPRODUCTION IN PART OR AS A WHOLE WITHOUT THE WRITTEN PERMISSION OF GREEN TURTLE TECHNOLOGIES Ltd. IS PROHIBITED.									

8 7 6 5 4 3 2 1

D

D

B

B

A

8 7 6 5 4 3 2 1