

Fire Hose Valve Order Form

F100/F100G Fire Hose Valve



Customer/Location	Date
Contact	Ref. P.O.
Email	Phone

VALVE SIZE	
Must Check One	1-1/2"
	2-1/2"



212-F100
FNPT x NH

112-F100F
FNPT x FNPT

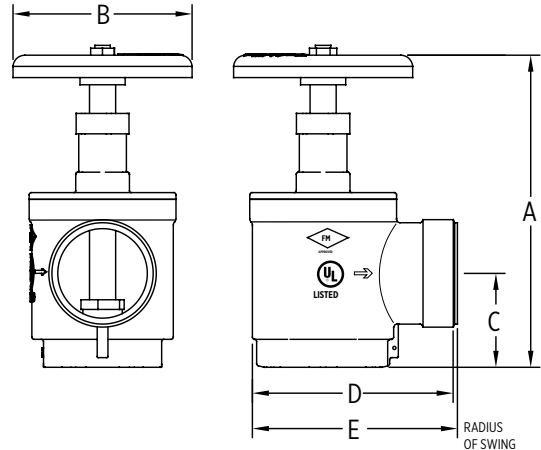
212-F100G
Grooved x NH

BODY END CONNECTION OPTIONS	
Must Check One	Inlet FNPT Thread (Standard)
	G - Inlet Grooved (not available on 1-1/2" valve size)
Must Check One	Outlet National Fire Hose Thread (Standard)
	ST - Outlet - Special Thread** - Specify City: (Order cannot be canceled)
	F - Outlet - FNPT Thread

***Thread Specification:**

ACCESSORIES / OPTIONS	
Mark If Needed	CH - Rough Chrome Plated (Request Lead Time)

***Note:** Special Thread valve orders are non-cancelable and non-returnable. Adding special threads can extend lead time an additional 8-10 weeks to standard lead time. Please ask about lead times when ordering.



Dimensions & Weights (do not include pkg.)

MODEL	DIMENSIONS (approximate)													
	A OPEN		A CLOSED		B		C		D		E		WEIGHT	
	in.	mm			in.	mm	in.	mm	in.	mm	in.	mm	lbs	kg
112-F100	7 3/4	195	6 3/4	169	4	100	2	50	2 1/2	63	2 3/4	68	4	2
112-F100F	7 3/4	195	6 3/4	169	4 1/8	103	2	50	2 5/8	66	2 7/8	72	4	2
212-F100	10 5/8	268	8 7/8	225	5	127	2 3/4	68	3 1/8	79	3 1/2	88	8	4
212-F100F	10 5/8	268	8 7/8	225	5	127	2 3/4	68	3 3/8	84	3 3/4	94	8	4
212-F100G	11 1/2	291	9 7/8	248	5	127	3 5/8	91	3 1/8	79	n/a	n/a	9	4
212-F100GF	11 1/2	291	9 7/8	248	5	127	3 5/8	91	3 3/8	84	n/a	n/a	9	4

Customer Service Representatives available Mon. through Fri., 5:30 a.m. to 5:00 p.m., PST. Fax completed forms to 805-237-7197, Attention: Sales.