

MODEL 450ST

Stainless Steel Double Check – Backflow Preventers 4" to 10"



Repair Kit Components		4"			4" and 6"	6"			8" and 10"		
Size Range		RK4-350	RK4-450STCK4	BRK4-SSLBF-SEATIRNTR	RK4-350AST-COVRPLATE	RK6-350	RK6-450STCK4	BRK6-SSLBF-SEATIRNTR	RK8-350	RK8-350-COVRPLATE	RK8-450STCK1
4"		•	•	•	•						
6"					•	•	•	•			
8"									•	•	•
10"									•	•	•
Item #	Item Description										
1	O-Ring, Cover Plate				•					•	
2	Relief Cover Plate				•					•	
3	Bolt, Cover Plate				•(x2)					•(x2)	
4	Seat Retainer		•	•(x6)			•	•(x6)			
5	O-Ring, Seat	•(x2)	•			•(x2)	•		•(x2)		•
6	Bolt, Poppet Retainer		•(x4)				•(x4)				•(x6)
7	Handle, Poppet Assembly		•				•				•
8	Washer		•(x4)				•(x4)				•(x6)
9	O-Ring, Retainer	•(x8)	•(x4)			•(x8)	•(x4)		•(x12)		•(x6)
10	Poppet Retainer		•				•				•
11	Seal Ring	•(x2)	•			•(x2)	•		•(x2)		•
12	Seat Assembly		•				•				•
13	Washer, Seat Retainer										•(x4)
14	Nut, Seat Retainer										•(x4)

Whole Goods (Available for individual sale)

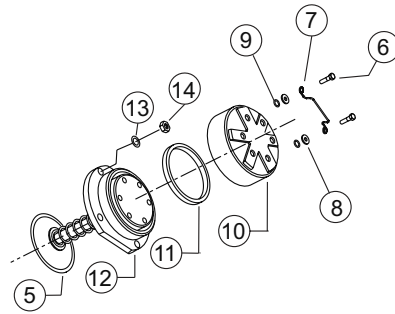
Item #	Item Description	4"	6"	8"	10"
15	Gate Valve, NRS (GxG)	4-48G	6-48G	8-48G	10-48G
	Gate Valve, NRS (GxF)	4-48GXF	6-48GXF	8-48GXF	10-48GXF
	Gate Valve, OS&Y (GxG)	4-48OSYG	6-48OSYG	8-48OSYG	10-48OSYG
	Gate Valve, OS&Y (GxF)	4-48OSYGXF	6-48OSYGXF	8-48OSYGXF	10-48OSYGXF
	Butterfly Valve (GxG)	4-49G	6-49G	8-49G	10-49G
	Butterfly Valve (GxF)	4-49GXF	6-49GXF	8-49GXF	10-49GXF
16	Grooved Coupling, Cover	6-23	8-23		12-23
17	Ball Valve, Cover	12-850MXL		34-850XL	
18	Ball Valve, Shut Off Valve	12-850XL		34-850XL	
19	Grooved Coupling, Body	4-23	6-23	8-23	10-23
20	Cover	3509ST-3	3510ST-3		3511ST-3

Item No.	Repair Kit Description
4"	
RK4-350	Rubber Kit, 4"
RK4-450STCK4	#1 and #2 Check Assembly Kit, 4"
BRK4-SSLBF-SEATIRNTR	Bulk Seat Retainer Kit, 4"
4" and 6"	
RK4-350AST-COVRPLATE	Cover Plate Kit, 4" and 6"
6"	
RK6-350	Rubber Kit, 6"
RK6-450STCK4	#1 and #2 Check Assembly Kit, 6"
BRK6-SSLBF-SEATIRNTR	Bulk Seat Retainer Kit, 6" 450ST
8" and 10"	
RK8-350	Rubber Kit, 8" - 10"
RK8-350-COVRPLATE	Cover Plate Kit, 8" - 10"
RK8-450STCK1	#1 and #2 Check Assembly Kit, 8" - 10"

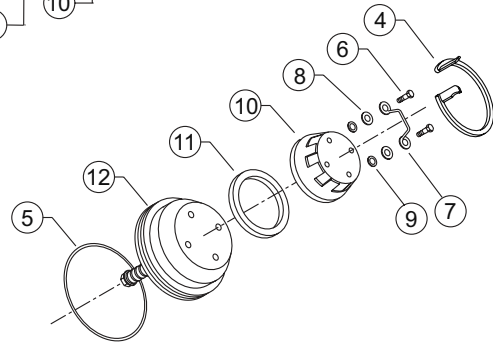
MODEL 450ST

Stainless Steel Double Check – Backflow Preventers 4" to 10"

Parts Drawing



CHECK ASSEMBLY FOR 8" - 10"



CHECK ASSEMBLY FOR 4" - 6"

