

MODEL 500XL3

Pressure Reducing Valves – 1" to 4"



Repair Kit Components		Complete Repair Kits									
		1"		1 1/4"		1 1/2"		2"		2 1/2" - 4"	
Item #	Item Description	RK1-500XL3	RK1-500XL3HR	RK114-500XL3	RK114-500XL3HR	RK112-500XL3	RK112-500XL3HR	RK2-500XL3	RK2-500XL3HR	RK212-4-500XL3	RK212-4-500XL3HR
1	Adjustment Bolt	●	●	●	●	●	●	●	●	●	●
2	Locknut	●	●	●	●	●	●	●	●	●	●
3	Spring Disc	●	●	●	●	●	●	●	●	●	●
4	Spring	●		●		●		●		●	
5	High Range Spring		●		●		●		●		●
6	Friction Ring	●	●	●	●	●	●	●	●		
7	Cartridge	●	●	●	●	●	●	●	●	●	●
8	Guide Pin O-rings									●	●
9	Union Gasket	● (x2)	● (x2)	● (x2)	● (x2)	● (x2)	● (x2)	● (x2)	● (x2)		

Whole Goods (Available for individual sale)						
Item #	Item Description	1"	1 1/4"	1 1/2"	2"	2 1/2" - 4"
10	Tailpiece Kit, NPT	1-TPKXL	114-TPKXL	112-TPKXL	2-TPKXL	N/A
	Tailpiece Kit, Copper	1-TPKXLC	114-TPKXLC	112-TPKXLC	2-TPKXLC	N/A
	Tailpiece Kit, Press Fit	1-TPKXLPR	114-TPKXLPR	112-TPKXLPR	2-TPKXLPR	N/A

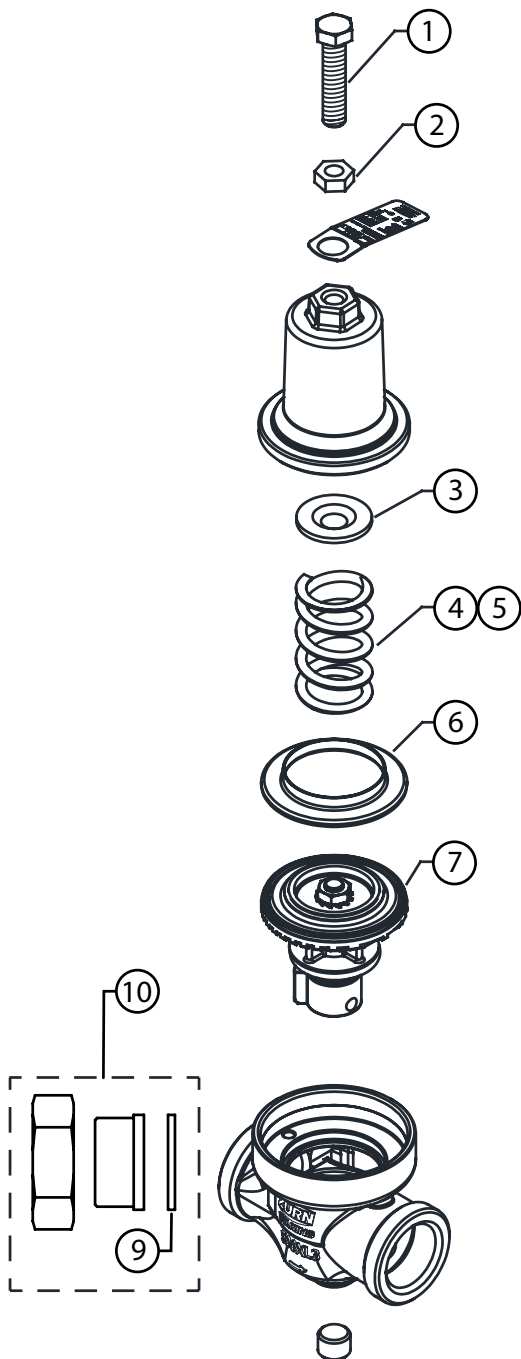
MODEL 500XL3

Pressure Reducing Valves - 1" to 4"

Parts Drawing



1" - 2"



2-1/2" - 4"

