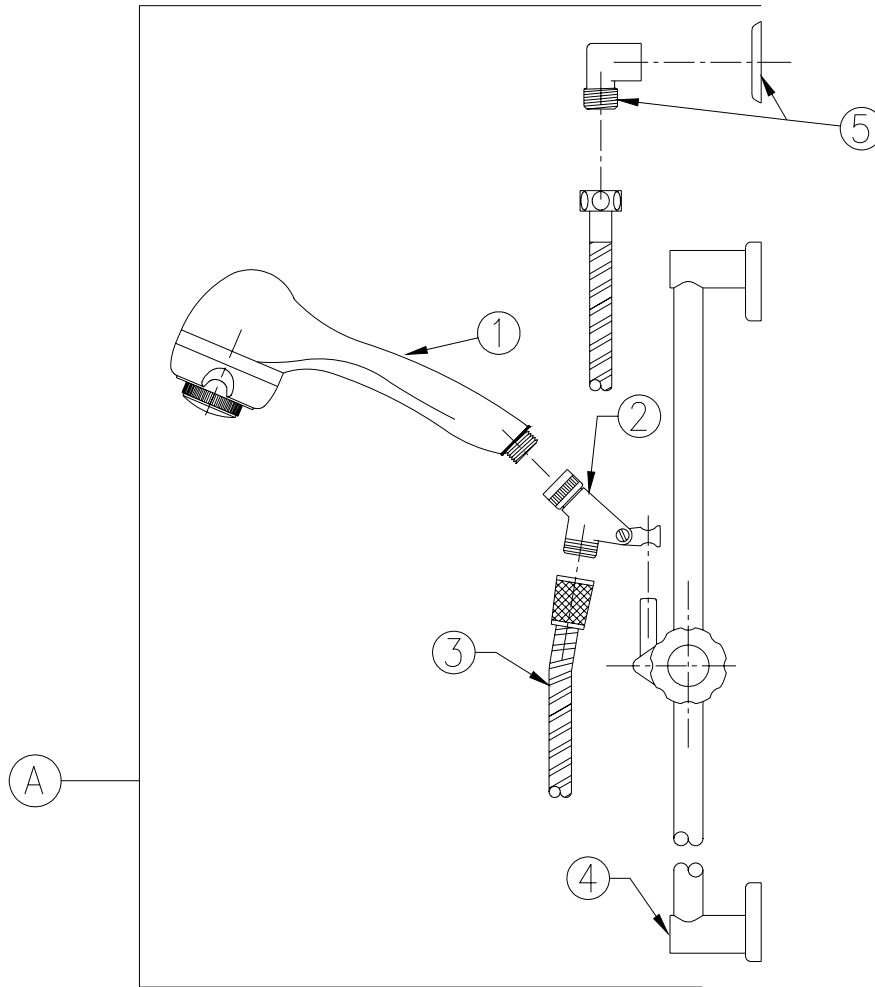


TEMP-GARD HAND/WALL UNIT



Z7000-HW Parts List



Item	Part Number	Description	Qty.
A	Z7000-HW	Handwall Unit	1
1	Z7000-H1	Standard Hand-Held Shower Head	1
2	7080-19	Swivel Connector	1
3	7080-97	Standard 60" [1524mm] Metal Hose	1
4	7080-92	24" [610mm] Slide Bar	1
5	7080-52	Supply Elbow and Flange	1

ZURN INDUSTRIES, LLC ♦ COMMERCIAL BRASS OPERATION ♦ 2640 SOUTH WORK STREET ♦ FALCONER NY 14733

Phone: 1-716-665-1132 ♦ Fax: 1-716-665-1135 ♦ World Wide Web: www.zurn.com

In Canada: ZURN INDUSTRIES LIMITED ♦ 3544 Nashua Drive ♦ Mississauga, Ontario L4V1L2 ♦ Phone: 905/405-8272 Fax: 905/405-1292