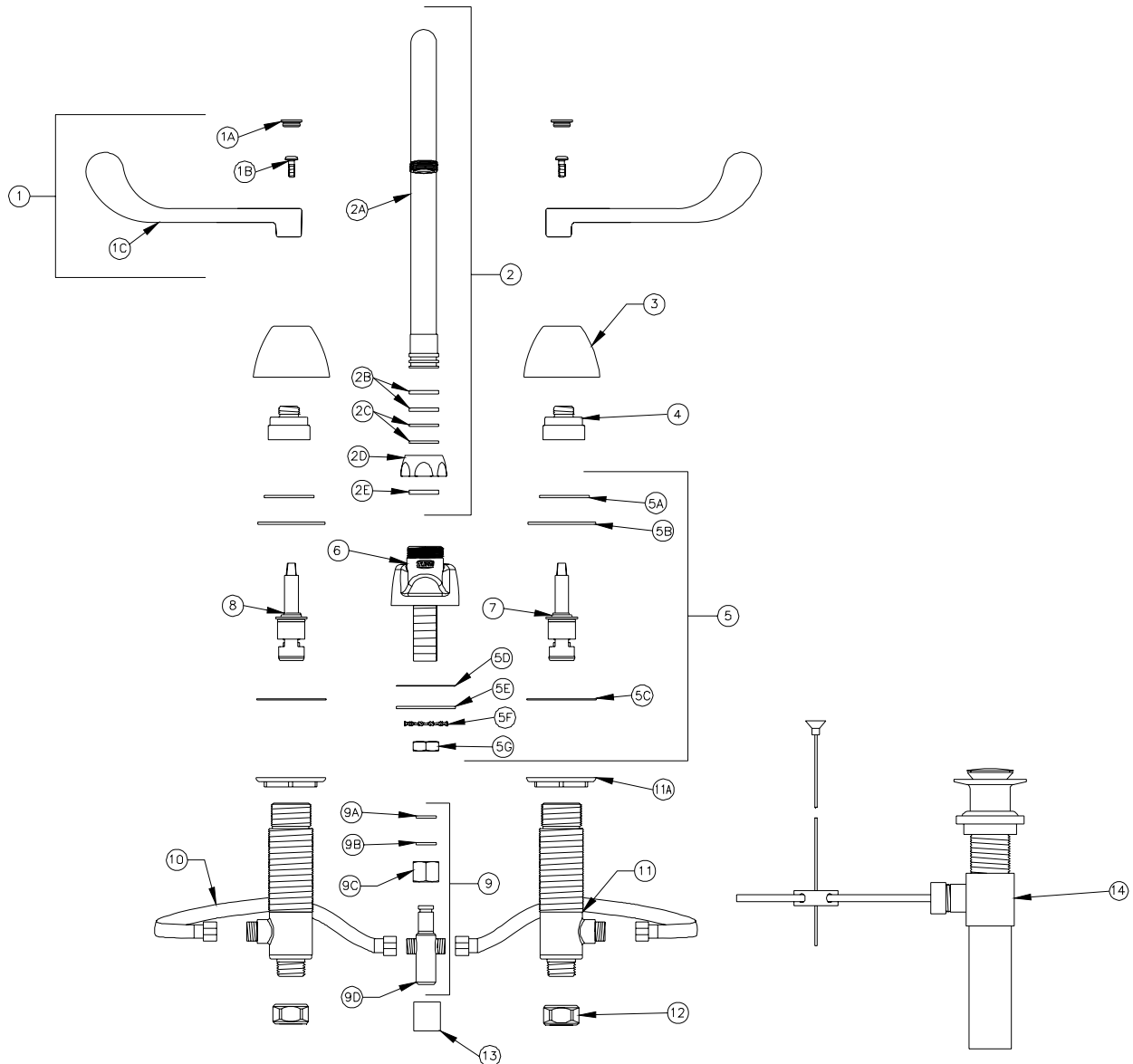


Z831B6-XL-P Parts List



Item	Part Number	Description	Qty.	Item	Part Number	Description	Qty.
1	G60508	6" [152mm] Wrist Blade Handles	1	5D	60148002	Gasket	1
1A	G60500	Hot/Cold Color-Coded Indexes	1	5E	60147002	Washer	1
	59454001	Hot Index	1	5F	61613019	Toothed Lockwasher	1
	59454002	Cold Index	1	5G	60146001	Mounting Nut	1
1B	62464001	10-32 Screw	2	6	G67872	Base XL	1
1C	59453002	Wrist Blade Handle	2	7	59517007	Long Cold Cartridge XL	1
2	G67852	5-3/8" Gooseneck 'B' Spout Ass'y. XL	1	8	59517008	Long Hot Cartridge XL	1
2A	92866002	5-3/8" Centerline Gooseneck Spout	1	9	G67898	Tee Assembly XL	1
2B	58155018	O-Ring	2	9A	60455001	Gasket	1
2C	59666001	Plastic Split Washer (Swing)	2	9B	63982001	Retaining Ring	1
2D	59435001	Spout Nut	1	9C	60145002	Shank Nut	1
2E	59436001	Spacer Washer (Rigid)	1	9D	61283005	Tee XL	1
3	60078001	Escutcheon	2	10	93317332	S. S. Flexible Hose XL	2
4	60077001	Cartridge Cap	2	11	93039001	Valve Body Assembly XL	2
5	G65339	Mounting Hardware	1	11A	60445001	Nut	2
5A	60383002	Retaining Ring	2	12	59532001	1/2" NPSM Riser Nut	2
5B	60382001	Washer	2	13	G63504	3/4"-27 Female Aerator - 2.2 GPM	1
5C	60444001	Washer	2	14	60505001	Pop-up Drain Assembly	1

ZURN INDUSTRIES, LLC ♦ COMMERCIAL BRASS OPERATION ♦ 2640 SOUTH WORK STREET ♦ FALCONER NY 14733

Phone: 1-800-997-3876 ♦ Fax: 1-919-775-3541 ♦ www.zurn.com

In Canada: ZURN INDUSTRIES LIMITED ♦ 3544 Nashua Drive ♦ Mississauga, Ontario L4V1L2 ♦ Phone: 905/405-8272 Fax: 905/405-1292