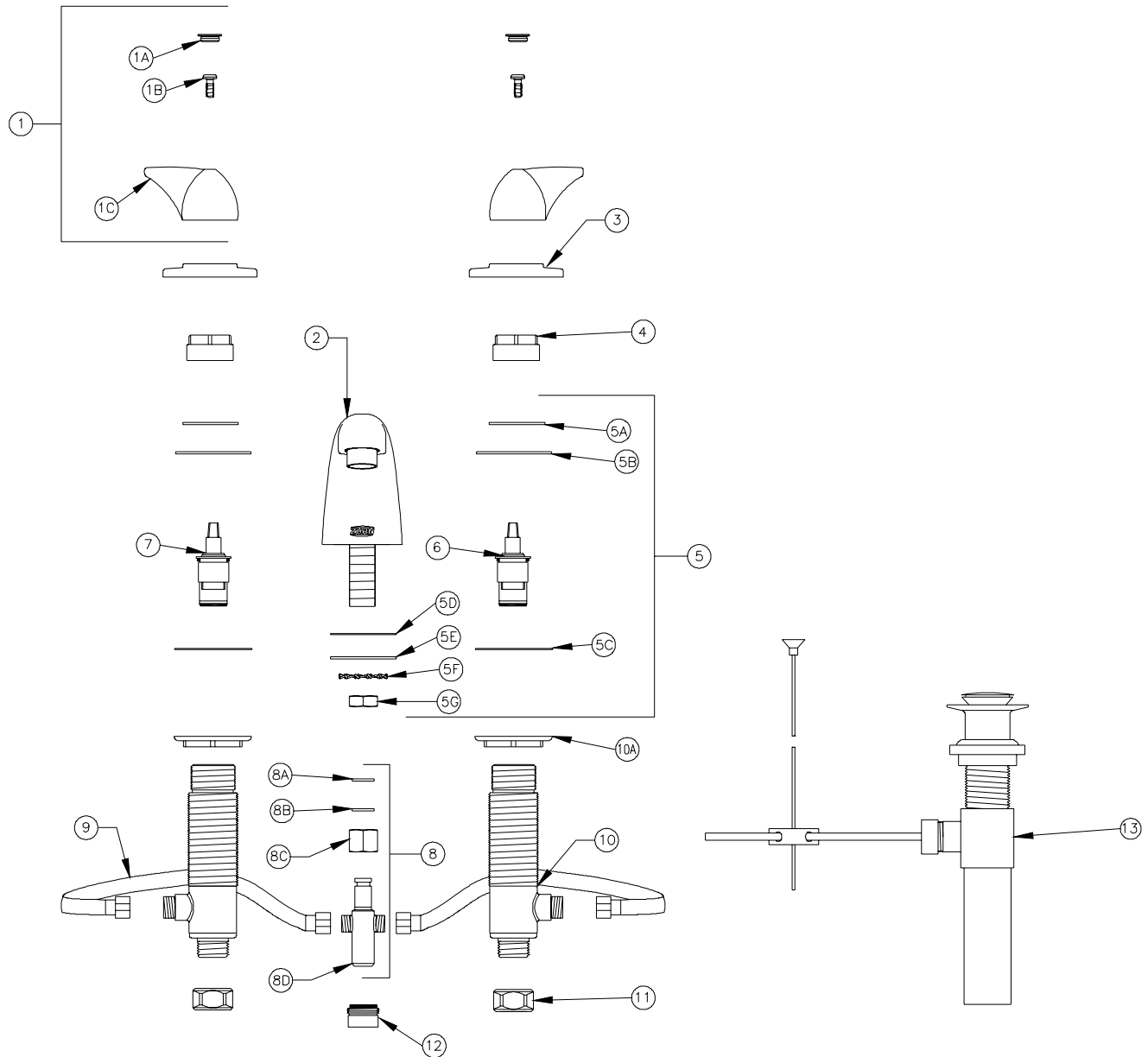


WIDESPREAD

Z831R3-XL-P Parts List



Item	Part Number	Description	Qty.	Item	Part Number	Description	Qty.
1	G60515	2" [51mm] Dome Lever Handles	1	5F	61613019	Toothed Lockwasher	1
1A	G60500	Hot/Cold Color-Coded Indexes	1	5G	60146001	Mounting Nut	1
	59454001	Hot Index	1	6	59517005	Short Cold Cartridge XL	1
	59454002	Cold Index	1	7	59517006	Short Hot Cartridge XL	1
1B	62464001	10-32 Screw	2	8	G67898	Tee Assembly XL	1
1C	60514001	Dome Lever Handle	2	8A	60455001	Gasket	1
2	G67866	5" Low Profile 'R' Spout Ass'y. XL	1	8B	63982001	Retaining Ring	1
3	61406001	Escutcheon	2	8C	60145002	Shank Nut	1
4	60077002	Cartridge Cap	2	8D	61283005	Tee XL	1
5	G65339	Mounting Hardware	1	9	93317332	S. S. Flexible Hose XL	2
5A	60383002	Retaining Ring	2	10	93039001	Valve Body Assembly XL	2
5B	60382001	Washer	2	10A	60445001	Nut	2
5C	60444001	Washer	2	11	59532001	1/2" NPSM Riser Nut	2
5D	60148002	Gasket	1	12	G63505	13/16"-27 Male Aerator - 2.2 GPM	1
5E	60147001	Washer	1	13	60505001	Pop-up Drain Assembly	1

ZURN INDUSTRIES, LLC ♦ COMMERCIAL BRASS OPERATION ♦ 2640 SOUTH WORK STREET ♦ FALCONER NY 14733

Phone: 1-800-997-3876 ♦ Fax: 1-919-775-3541 ♦ www.zurn.com

In Canada: ZURN INDUSTRIES LIMITED ♦ 3544 Nashua Drive ♦ Mississauga, Ontario L4V1L2 ♦ Phone: 905/405-8272 Fax: 905/405-1292