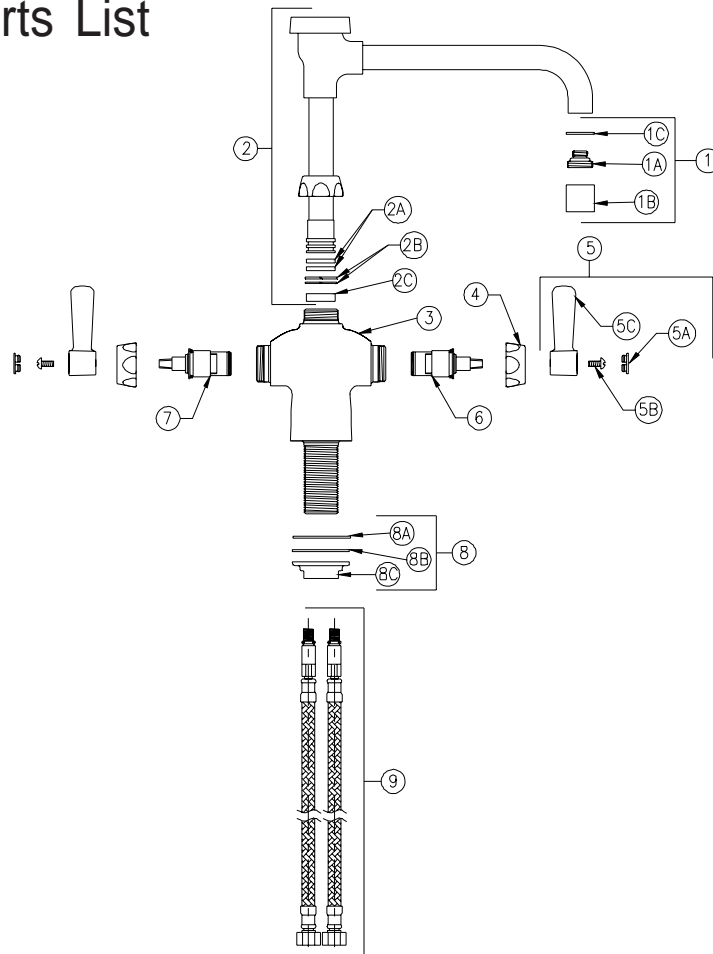


LABORATORY FAUCET - DOUBLE



Z826V1-XL Parts List



Item	Part Number	Description	Qty.
1	G60525	Aerator Assembly	1
1A	302879001	Aerator Adaptor	1
1B	G63504	3/4"-27 Female Aerator	1
1C	58155015	O-Ring	1
2	G67992	8" V-Spout Assembly	1
2A	58155018	O-Rings	2
2B	59666001	Plastic Split Washer (Swing)	2
2C	59436001	Spacer Washer (Rigid)	1
3	60822003	Double Lab Body	1
4	59523001	Handle Nut	2
5	G60501	2-1/2" [64mm] Vandal-Resistant Metal Lever Handles	1
5A	G60500	Hot/Cold Color-Coded Indexes	1
	59454001	Hot Color-Coded Index	1
	59454002	Cold Color-Coded Index	1
5B	62464001	10-32 Screw	2
5C	59487001	Lever Handle	2
6	59517006	Short Hot Cartridge	1
7	59517005	Short Cold Cartridge	1
8	G61073	Mounting Hardware	1
8A	60549002	Friction Gasket	1
8B	60444002	Washer	1
8C	60445002	Mounting Nut	1
9	93318012	12" [305mm] S.S. Braided Hoses	2

ZURN INDUSTRIES, LLC ♦ COMMERCIAL BRASS OPERATION ♦ 2640 SOUTH WORK STREET ♦ FALCONER NY 14733

Phone: 1-800-997-3876 ♦ Fax: 1-919-775-3541 ♦ www.zurn.com

In Canada: ZURN INDUSTRIES LIMITED ♦ 3544 Nashua Drive ♦ Mississauga, Ontario L4V1L2 ♦ Phone: 905/405-8272 Fax: 905/405-1292