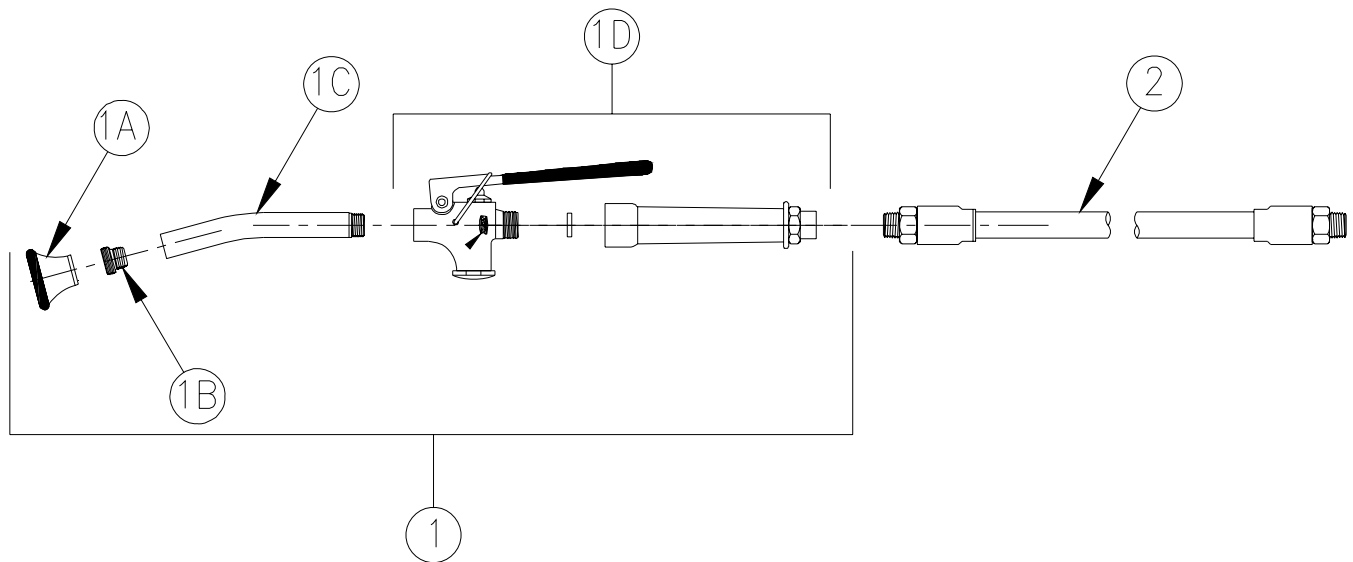


SPRAY HOSE

Z80000-SH3 Parts List



Item	Part Number	Description	Qty.
1	G62717	SH3 Handle S/A	1
1A	61285002	Spray Aerator S/A	1
1B	61555001	Adaptor, 3/4-27 UNS Male X 9/16-18 UNF Male	1
1C	61599001	Handle Tube, 5-1/2"[140]	1
1D	G67973	Self Closing Valve with Handle	1
	N/A	Valve Body	1
	66125002	Washer	1
	N/A	Thermoplastic Handle with Brass Insert	1
2	61705048	Vinyl Hose, 48"[122 cm] Long	1

ZURN INDUSTRIES, LLC ♦ COMMERCIAL BRASS OPERATION ♦ 2640 SOUTH WORK STREET ♦ FALCONER NY 14733

Phone: 1-800-997-3876 ♦ Fax: 1-919-775-3541 ♦ www.zurn.com

In Canada: ZURN INDUSTRIES LIMITED ♦ 3544 Nashua Drive ♦ Mississauga, Ontario L4V1L2 ♦ Phone: 905/405-8272 Fax: 905/405-1292