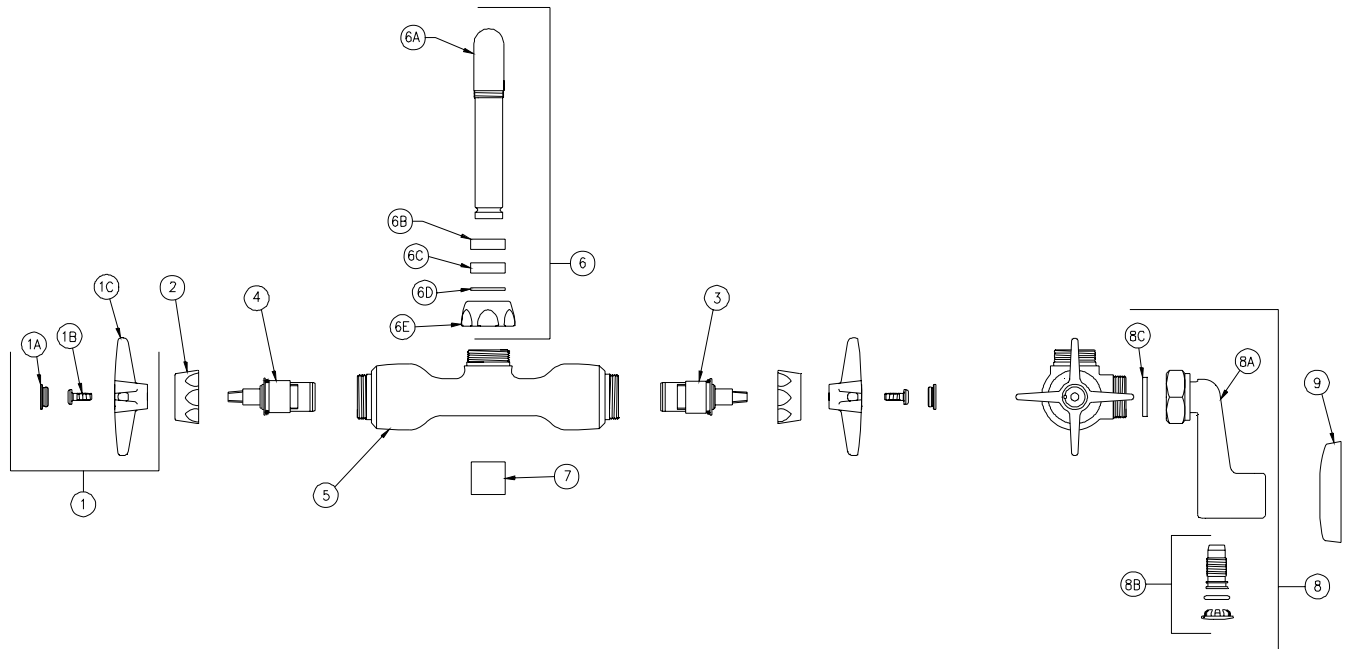


SERVICE SINK FAUCET



Z841I2-XL Parts List



| Item | Part Number | Description | Qty. |
|------|-------------|--|------|
| 1 | G60503 | Vandal-Resistant Metal Four Arm Handles | 1 |
| 1A | G60500 | Hot/Cold Color-Coded Indexes | 1 |
| | 59454001 | Hot Index | 1 |
| | 59454002 | Cold Index | 1 |
| 1B | 62464001 | 10-32 Screw | 2 |
| 1C | 59518001 | Four Arm Handle | 2 |
| 2 | 59523001 | Handle Nut | 2 |
| 3 | 59517006 | Short Hot Cartridge | 1 |
| 4 | 59517005 | Short Cold Cartridge | 1 |
| 5 | 59464005 | Body | 1 |
| 6 | G67893 | 14" Tubular Swing 'I' Spout Assembly | 1 |
| 6A | 92957001 | 14" Swing Spout | 1 |
| 6B | 59441001 | Bearing Washer | 1 |
| 6C | 59459001 | Spout Seal | 1 |
| 6D | 92937001 | Retaining Ring | 1 |
| 6E | 59435001 | Spout Nut | 1 |
| 7 | G63504 | 3/4"-27 Female Aerator | 1 |
| 8 | G67875 | Long Supply Arm and Integral Stop Assembly | 2 |
| 8A | N/A | Long Supply Arm | 1 |
| 8B | N/A | Screwdriver Integral Stop Assembly | 1 |
| | N/A | Stop Plug | 1 |
| | N/A | O-Ring | 1 |
| | N/A | Hole Plug | 1 |
| 8C | 59748001 | Gasket | 1 |
| 9 | G65300 | Escutcheon Assembly | 2 |

ZURN INDUSTRIES, LLC ♦ COMMERCIAL BRASS OPERATION ♦ 2640 SOUTH WORK STREET ♦ FALCONER NY 14733

Phone: 1-800-997-3876 ♦ Fax: 1-919-775-3541 ♦ www.zurn.com

In Canada: ZURN INDUSTRIES LIMITED ♦ 3544 Nashua Drive ♦ Mississauga, Ontario L4V1L2 ♦ Phone: 905/405-8272 Fax: 905/405-1292