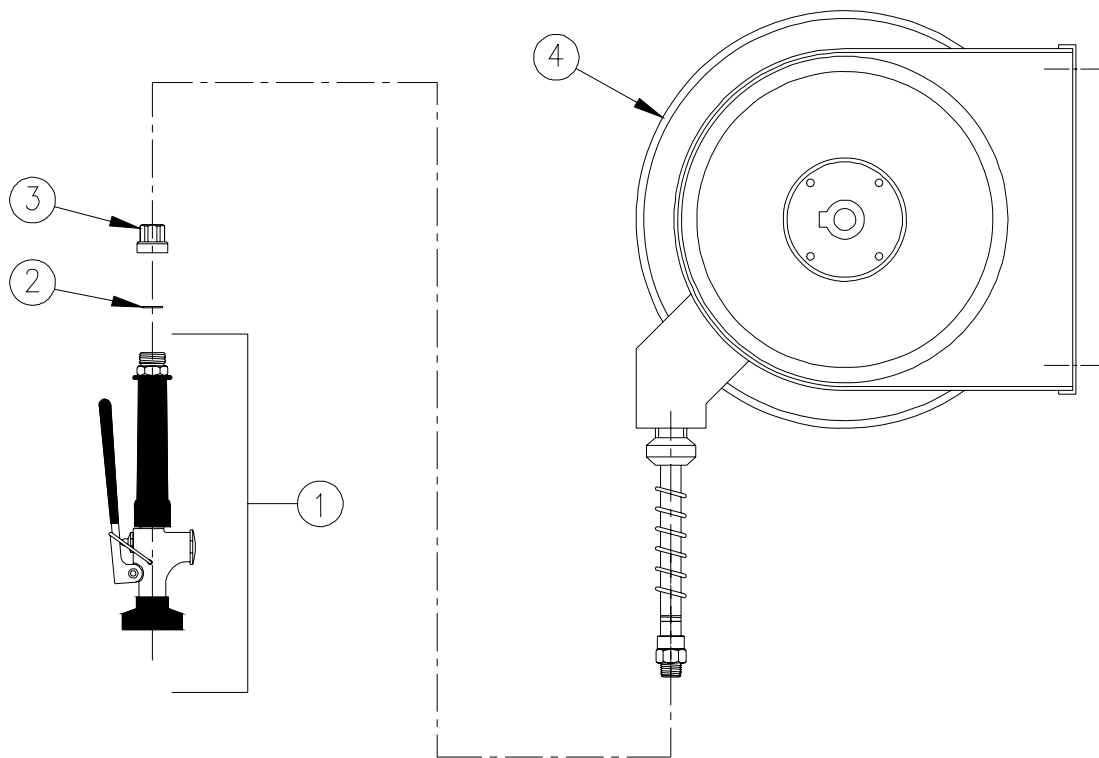


# RETRACTABLE HOSE REEL UNIT



## Z89100-PR1 Parts List



Item	Part Number	Description	Qty.
1	Z80000-PR1	PR1 Handle Valve Assembly	1
2	66125001	Washer	1
3	65834003	Adaptor	1
4	Z89100	Hose/Reel Assembly	1

ZURN INDUSTRIES, LLC ♦ COMMERCIAL BRASS OPERATION ♦ 2640 SOUTH WORK STREET ♦ FALCONER NY 14733

Phone: 1-800-997-3876 ♦ Fax: 1-919-775-3541 ♦ www.zurn.com

In Canada: ZURN INDUSTRIES LIMITED ♦ 3544 Nashua Drive ♦ Mississauga, Ontario L4V1L2 ♦ Phone: 905/405-8272 Fax: 905/405-1292