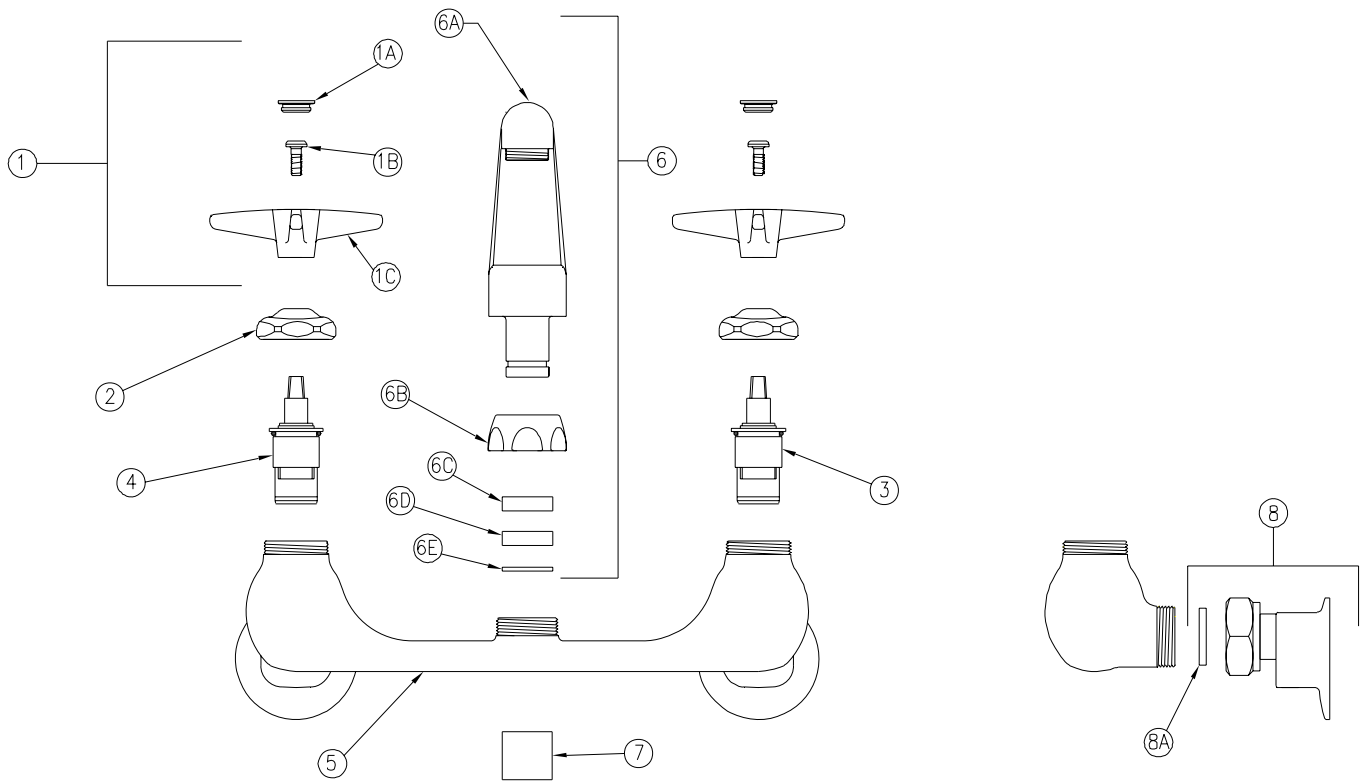


# SINK FAUCET

## Z842G2 Parts List



| Item | Part Number | Description                             | Qty. |
|------|-------------|---|------|
| 1    | G60503      | Vandal-Resistant Metal Four Arm Handles | 1    |
| 1A   | G60500      | Hot/Cold Color-Coded Indexes            | 1    |
|      | 59454001    | Hot Index                               | 1    |
|      | 59454002    | Cold Index                              | 1    |
| 1B   | 62464001    | 10-32 Screw                             | 2    |
| 1C   | 59518001    | Four Arm Handle                         | 2    |
| 2    | 59440001    | Handle Nut                              | 2    |
| 3    | 59517001    | Short Cold Cartridge                    | 1    |
| 4    | 59517002    | Short Hot Cartridge                     | 1    |
| 5    | 59463001    | Sink Body                               | 1    |
| 6    | G61075      | 8" Cast 'G' Spout Assembly              | 1    |
| 6A   | 59527001    | 8" Cast Swing Spout                     | 1    |
| 6B   | 59435001    | Spout Nut                               | 1    |
| 6C   | 59441001    | Bearing Washer                          | 1    |
| 6D   | 59459001    | Spout Seal                              | 1    |
| 6E   | 59460001    | Retaining Ring                          | 1    |
| 7    | G63504      | 3/4"-27 Female Aerator - 2.2 GPM        | 1    |
| 8    | G65336      | Short Supply Arm Assembly               | 2    |
| 8A   | 59748001    | Gasket                                  | 2    |

ZURN INDUSTRIES, INC. ♦ COMMERCIAL BRASS OPERATION ♦ 2640 SOUTH WORK STREET ♦ FALCONER NY 14733

Phone: 1-716-665-1132 ♦ Fax: 1-716-665-1135 ♦ World Wide Web: [www.zurn.com](http://www.zurn.com)

In Canada: ZURN INDUSTRIES LIMITED ♦ 3544 Nashua Drive ♦ Mississauga, Ontario L4V1L2 ♦ Phone: 905/405-8272 Fax: 905/405-1292