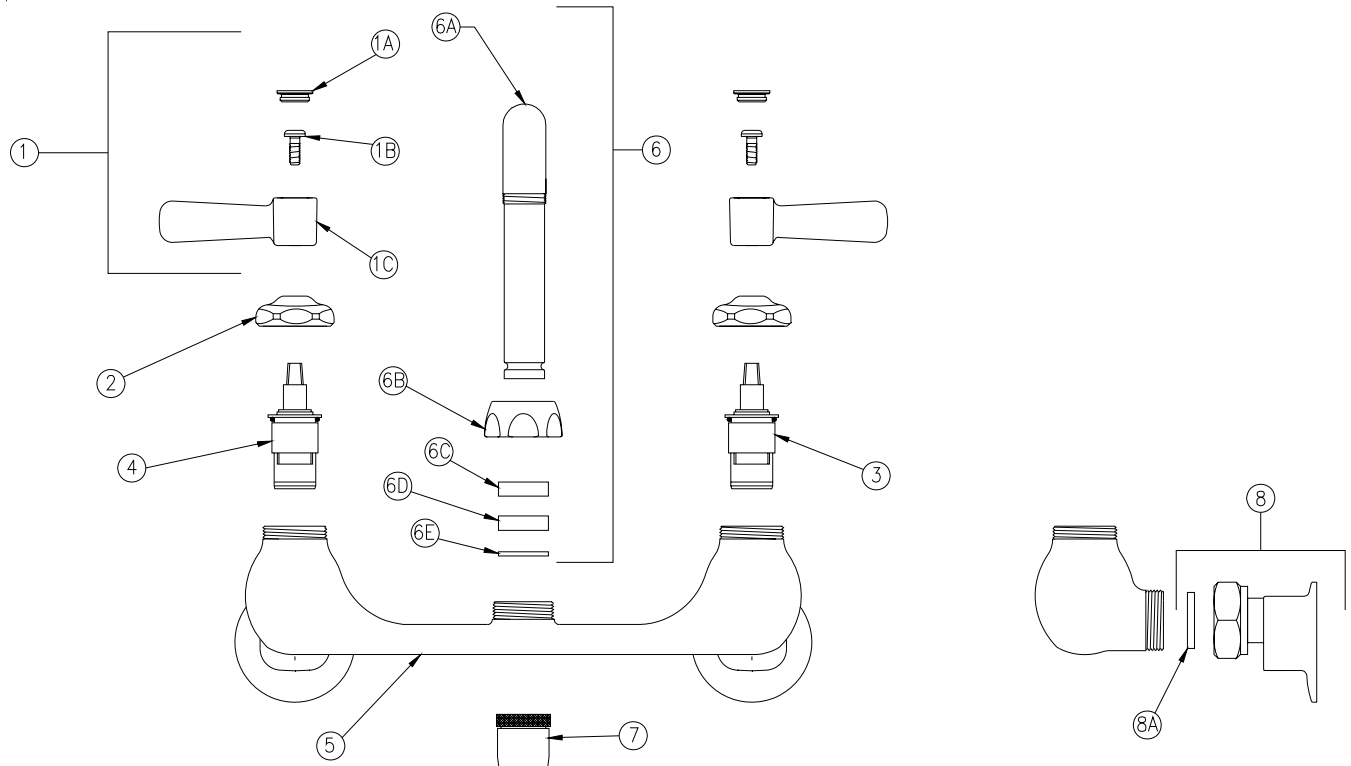


SINK FAUCET

Z842H1-15F Parts List



Item	Part Number	Description	Qty.
1	G60501	2-1/2" [64mm] Vandal-Resistant Metal Lever Handles	1
1A	G60500	Hot/Cold Color-Coded Indexes	1
	59454001	Hot Index	1
	59454002	Cold Index	1
1B	62464001	10-32 Screw	2
1C	59487001	Lever Handle	2
2	59440001	Handle Nut	2
3	59517001	Short Cold Cartridge	1
4	59517002	Short Hot Cartridge	1
5	59463001	Sink Body	1
6	G61076	12" Tubular 'H' Spout Assembly	1
6A	59466001	12" Tubular Swing Spout	1
6B	59435001	Spout Nut	1
6C	59441001	Bearing Washer	1
6D	59459001	Spout Seal	1
6E	59460001	Retaining Ring	1
7	G66625	Female Full Flow Outlet	1
8	G65336	Short Supply Arm Assembly	2
8A	59748001	Gasket	2

ZURN INDUSTRIES, INC. ♦ COMMERCIAL BRASS OPERATION ♦ 2640 SOUTH WORK STREET ♦ FALCONER NY 14733

Phone: 1-716-665-1132 ♦ Fax: 1-716-665-1135 ♦ World Wide Web: www.zurn.com

In Canada: ZURN INDUSTRIES LIMITED ♦ 3544 Nashua Drive ♦ Mississauga, Ontario L4V1L2 ♦ Phone: 905/405-8272 Fax: 905/405-1292