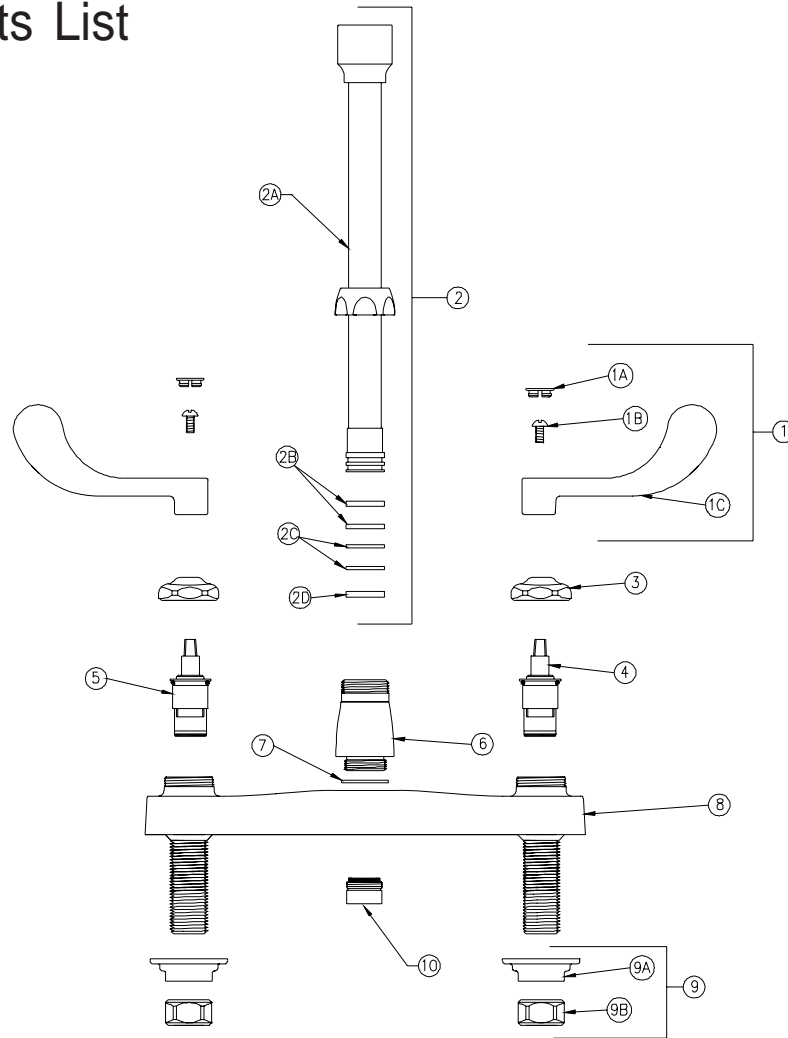


# KITCHEN SINK FAUCET



## Z871S4 Parts List



Item	Part Number	Description	Qty.
1	G60504	4" [102mm] Vandal-Resistant Wrist Blade Handles	1
1A	G60500	Hot/Cold Color-Coded Indexes	1
	59454001	Hot Index	1
	59454002	Cold Index	1
1B	62464001	10-32 Screw	2
1C	59453001	Wrist Blade Handle	2
2	G61310	8" Bent Riser 'S' Spout Assembly	1
2A	60546001	8" Bent Riser Spout Sub-Assembly	1
2B	58155018	O-Ring	2
2C	59666001	Plastic Split Washers (Swing)	2
2D	59436001	Spacer Washer (Rigid)	1
3	59440001	Handle Nut	2
4	59517001	Short Cold Cartridge	1
5	59517002	Short Hot Cartridge	1
6	60467001	Base	1
7	58155019	O-Ring	1
8	60545001	Kitchen Deck Body	1
9	G60502	Mounting Hardware	1
9A	59530002	Mounting Nut	2
9B	59532001	1/2" NPSM Riser Nut	2
10	G63505	3/4"-27 Male Aerator - 2.0 GPM	1

ZURN INDUSTRIES, LLC ♦ COMMERCIAL BRASS OPERATION ♦ 2640 SOUTH WORK STREET ♦ FALCONER NY 14733

Phone: 1-800-997-3876 ♦ Fax: 1-919-775-3541 ♦ www.zurn.com

In Canada: ZURN INDUSTRIES LIMITED ♦ 3544 Nashua Drive ♦ Mississauga, Ontario L4V1L2 ♦ Phone: 905/405-8272 Fax: 905/405-1292