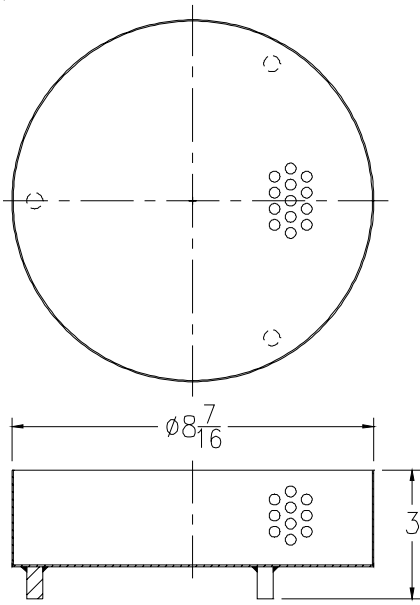
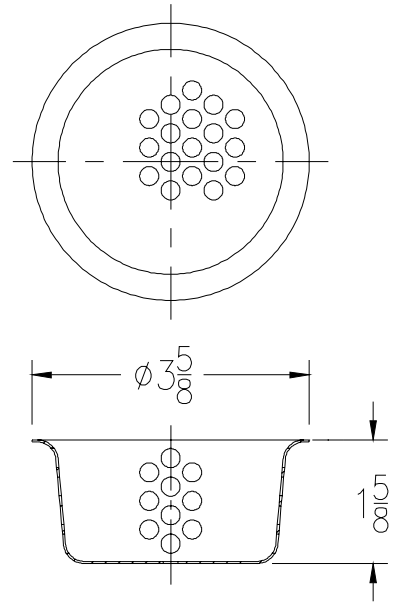




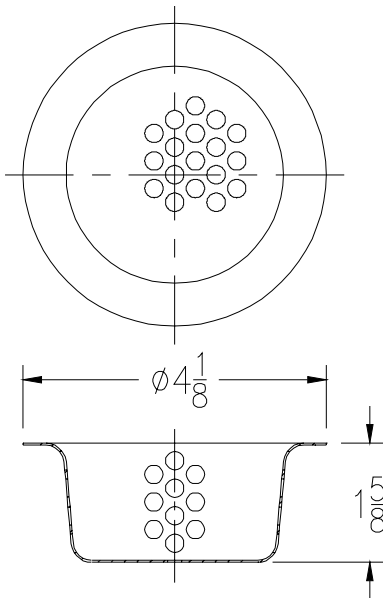
Replacement Buckets



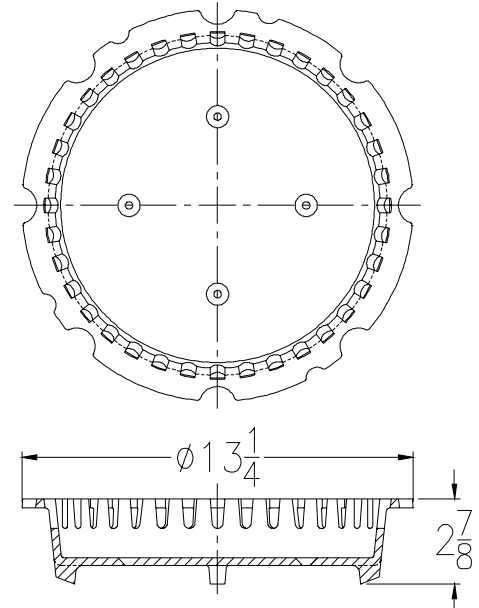
Please Check ✓	Item No.	Z150, Z534, Z536, Z537	
		Bucket Rim Thickness	Part Number
	1	#22 Gage	57470-1



Please Check ✓	Item No.	Z400, Z415 Series Heads & Z1726, Z1727 (Except Type H, P & T Heads)	
		Bucket Rim Thickness	Part Number
	2	#22 Gage	31228-1



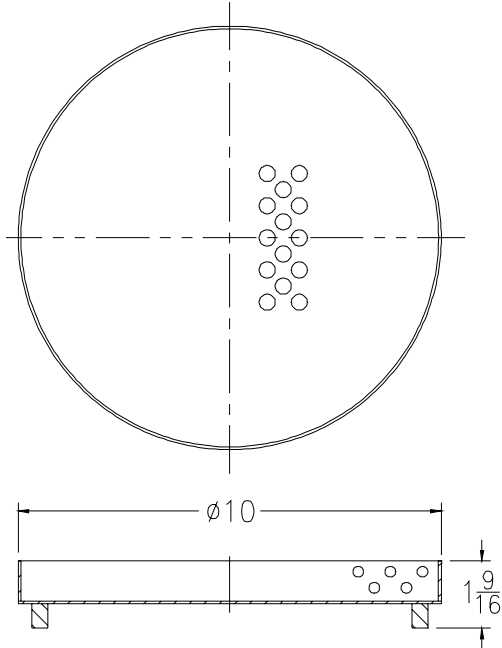
Please Check ✓	Item No.	Z400 & Z415 ("Type H" Only)	
		Bucket Rim Thickness	Part Number
	3	#22 Gage	31228-2



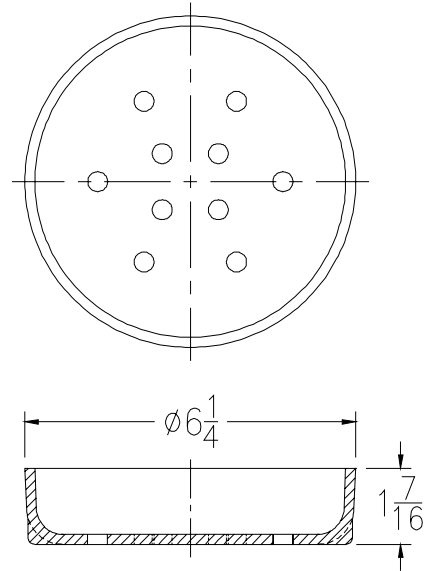
Please Check ✓	Item No.	Z503	
		Bucket Rim Thickness	Part Number
	4	5/16	50266-1



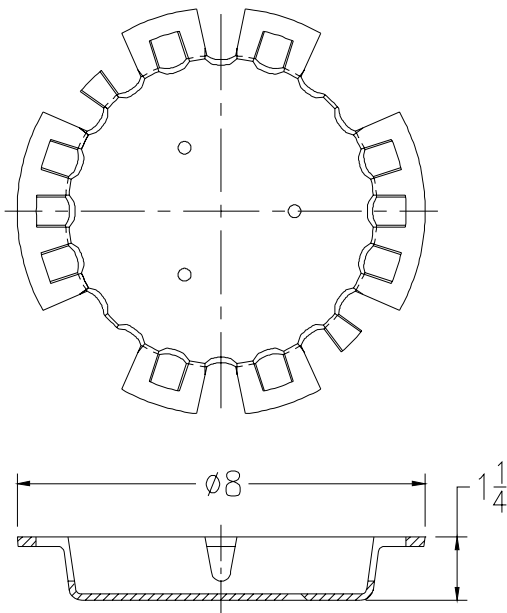
Replacement Buckets



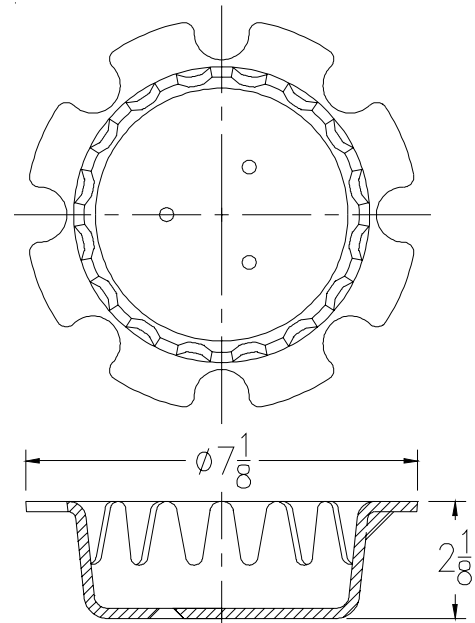
Please Check	Item No.	Z504, Z509	
		Bucket Rim Thickness	Part Number
<input checked="" type="checkbox"/>	5	1 9/16	56495-1



Please Check	Item No.	Z507	
		Bucket Rim Thickness	Part Number
<input checked="" type="checkbox"/>	6	1 7/16	31909-1



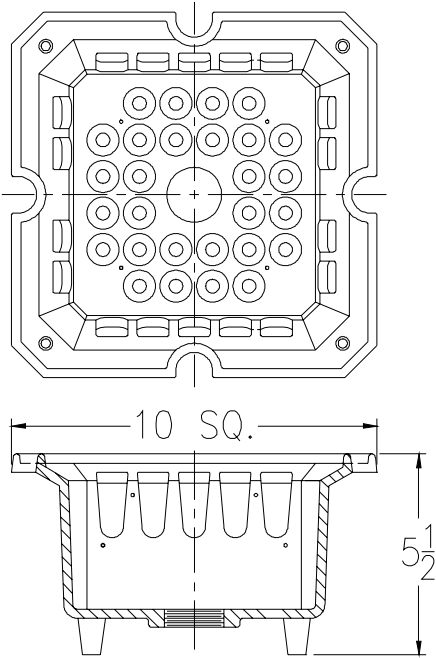
Please Check	Item No.	Z508, Z517, Z520, Z627, Z679	
		Bucket Rim Thickness	Part Number
<input checked="" type="checkbox"/>	7	3/16	53719-2



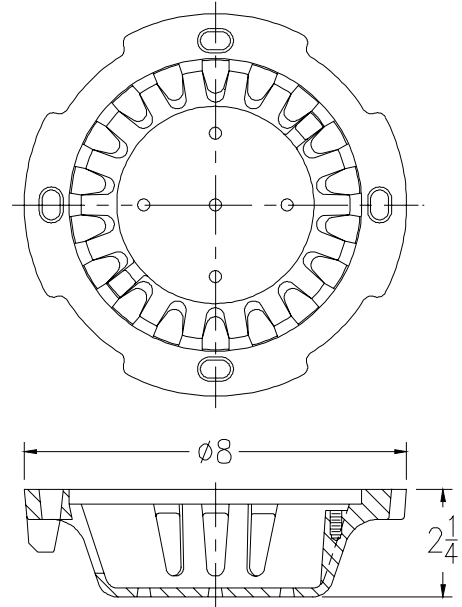
Please Check	Item No.	Z511, Z531	
		Bucket Rim Thickness	Part Number
<input checked="" type="checkbox"/>	8	3/16	45086-1



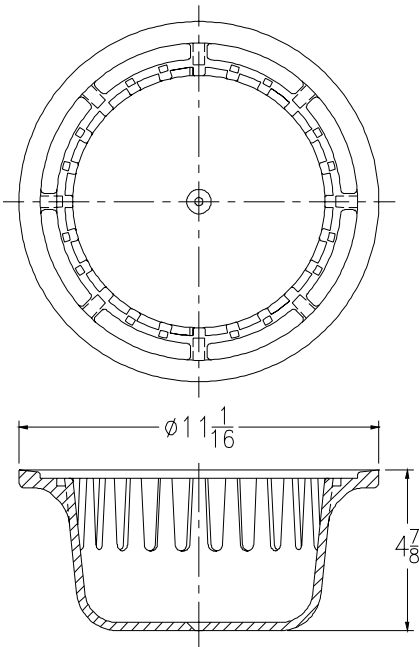
Replacement Buckets



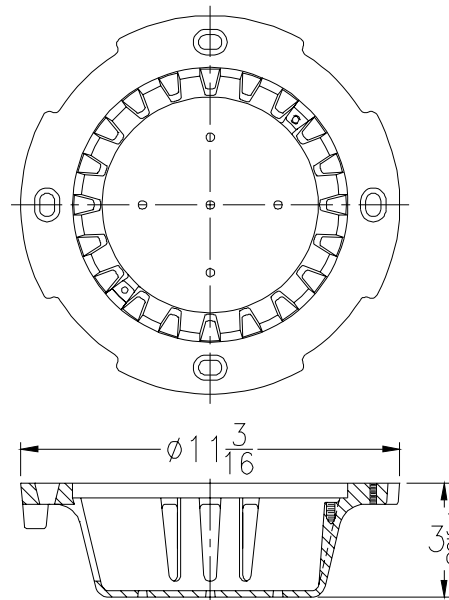
Please Check ✓	Item No.	Z512, Z610 (From 1960 -1989), Z662, Z673, Z676	
		Bucket Rim Thickness	Part Number
	9	1/2	32723-1



Please Check ✓	Item No.	Z513, Z525, Z529, Z550, Z554, Z609	
		Bucket Rim Thickness	Part Number
	10	5/8	56620-1



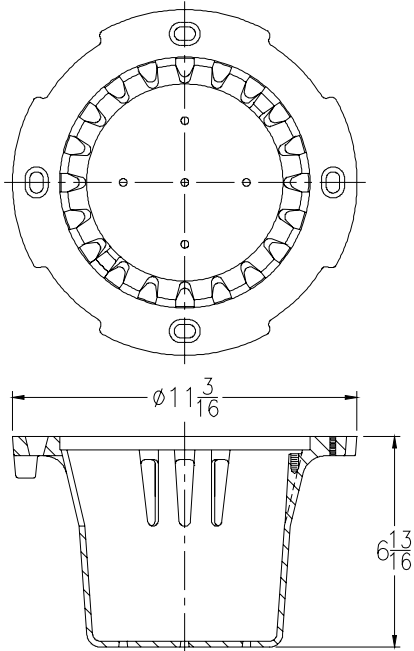
Please Check ✓	Item No.	Z521	
		Bucket Rim Thickness	Part Number
	11	9/16	2137-1



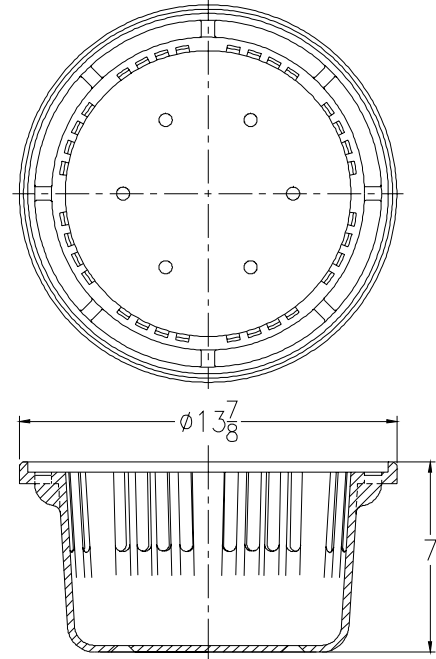
Please Check ✓	Item No.	Z532, Z535(AL), Z540, Z541, Z610, Z761	
		Bucket Rim Thickness	Part Number
	12	5/8	56491-6



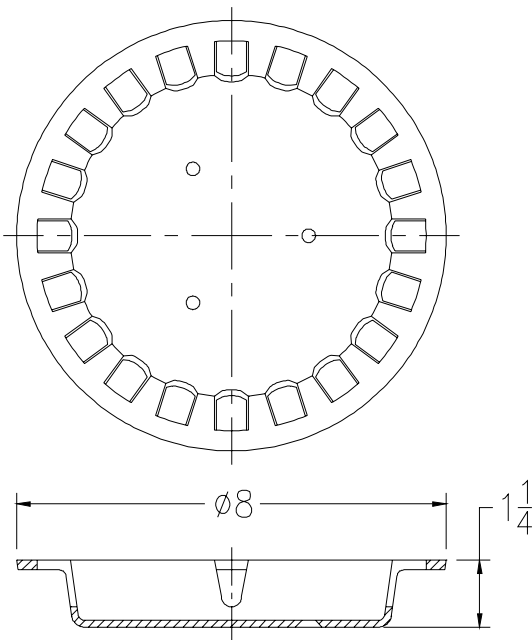
Replacement Buckets



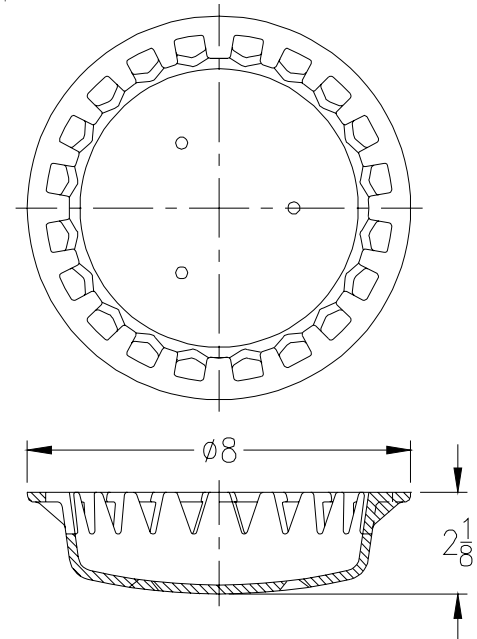
Please Check ✓	Item No.	Z538, Z539	
		Bucket Rim Thickness	Part Number
	13	9/19	56497-1



Please Check ✓	Item No.	Z543, Z548	
		Bucket Rim Thickness	Part Number
	14	13/16	2218-1



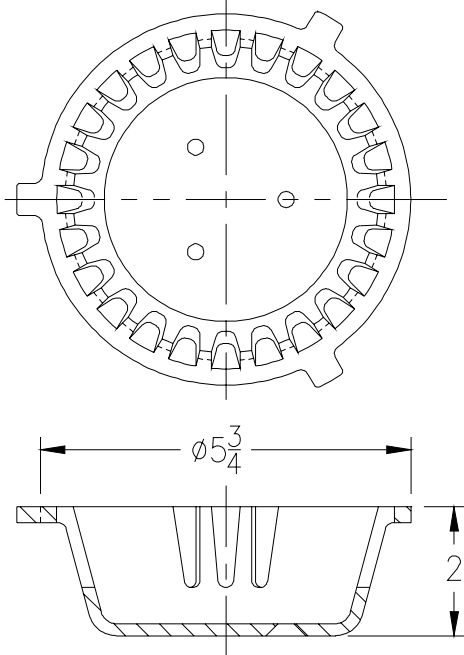
Please Check ✓	Item No.	Z530, Z550, Z551 (Plastic)	
		Bucket Rim Thickness	Part Number
	15	3/16	53719-1



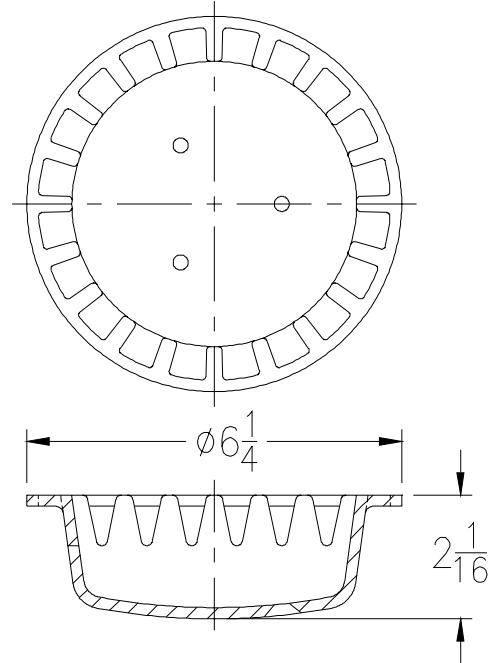
Please Check ✓	Item No.	Z551, Z533, Z624, Z1732, Z1970	
		Bucket Rim Thickness	Part Number
	16	7/32	24125-1



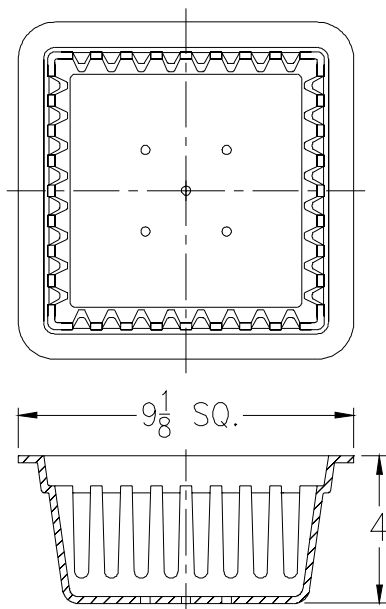
Replacement Buckets



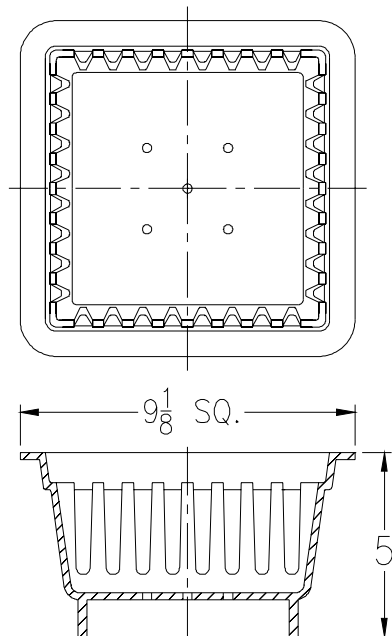
		Z556	
Please Check	Item No.	Bucket Rim Thickness	Part Number
<input checked="" type="checkbox"/>	17	1/4	51352-1



		Z560 (9" Drain)	
Please Check	Item No.	Bucket Rim Thickness	Part Number
<input checked="" type="checkbox"/>	18	3/16	30582-1



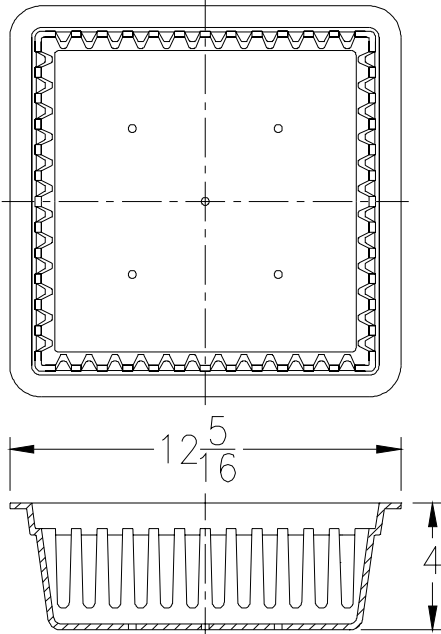
		Z566	
Please Check	Item No.	Bucket Rim Thickness	Part Number
<input checked="" type="checkbox"/>	19	3/16	2253-1



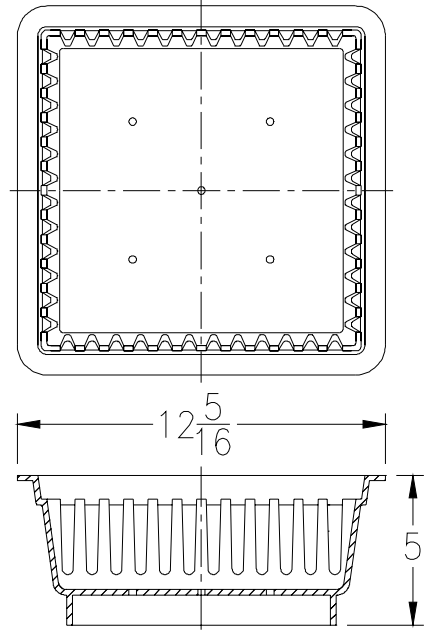
		Z566 (Bell Trap)	
Please Check	Item No.	Bucket Rim Thickness	Part Number
<input checked="" type="checkbox"/>	20	3/16	2253-3



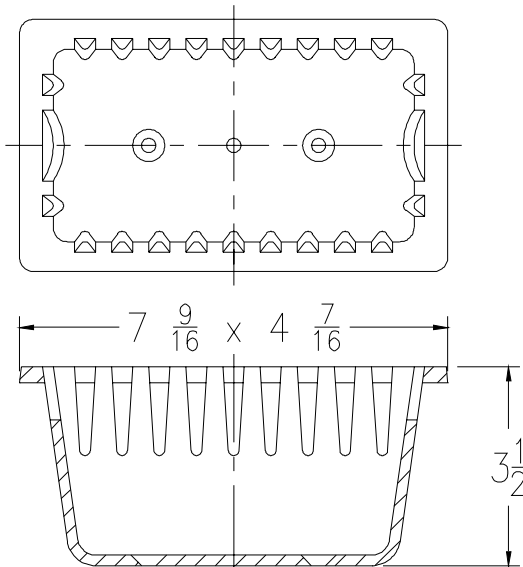
Replacement Buckets



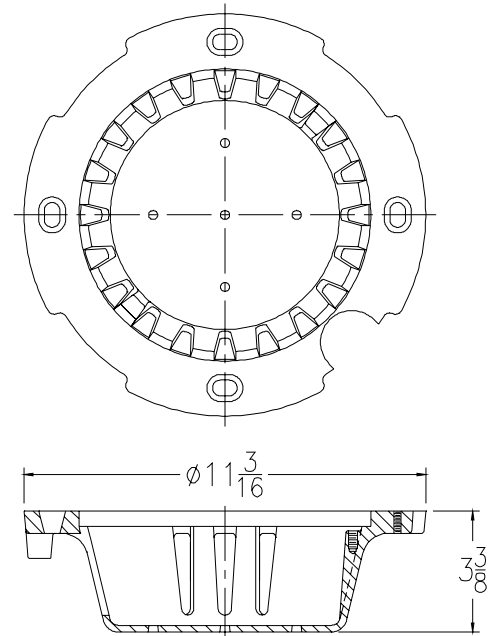
		Z568	
Please Check	Item No.	Bucket Rim Thickness	Part Number
<input checked="" type="checkbox"/>	21	3/16	2253-2



		Z568 (Bell Trap)	
Please Check	Item No.	Bucket Rim Thickness	Part Number
<input checked="" type="checkbox"/>	22	3/16	2253-4



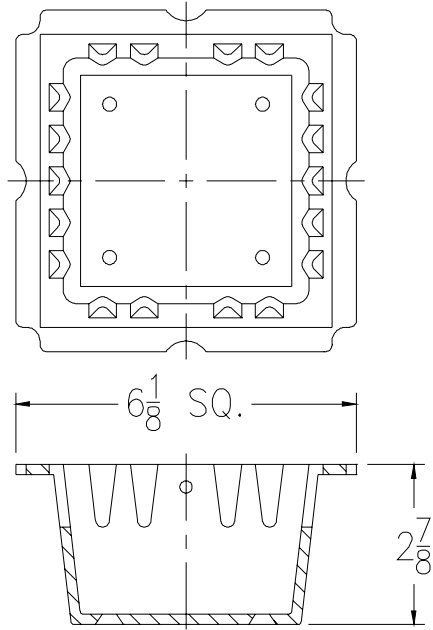
		Z585	
Please Check	Item No.	Bucket Rim Thickness	Part Number
<input checked="" type="checkbox"/>	23	9/32	36139-1



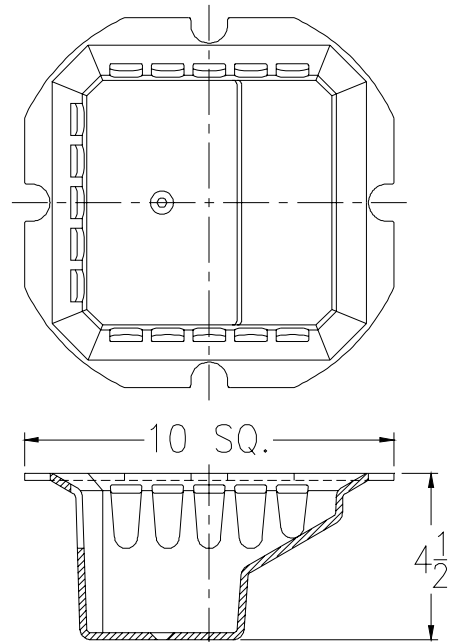
		Z610 (Hinged Locking)	
Please Check	Item No.	Bucket Rim Thickness	Part Number
<input checked="" type="checkbox"/>	24	5/8	56491-6



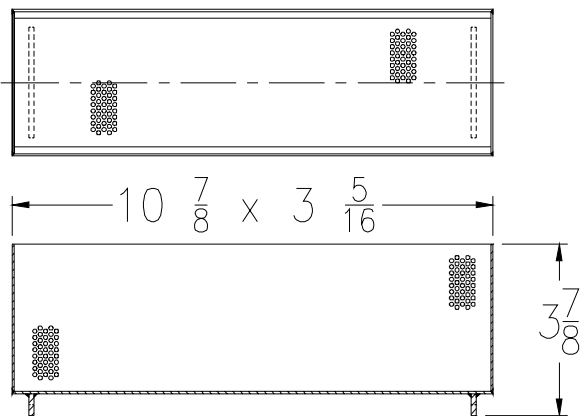
Replacement Buckets



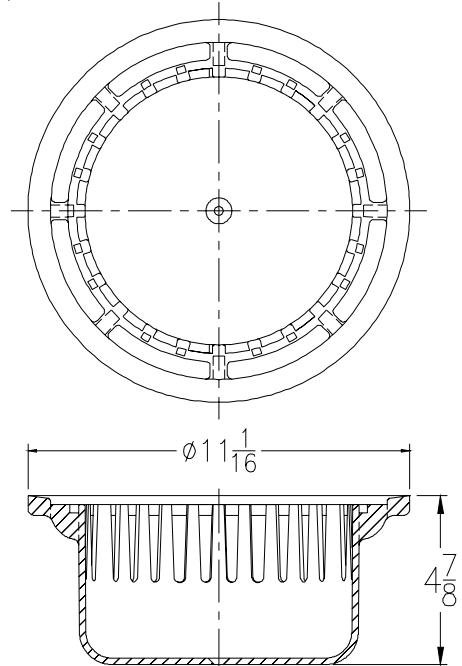
		Z611	
Please Check	Item No.	Bucket Rim Thickness	Part Number
✓	25	3/16	37802-1



		Z645	
Please Check	Item No.	Bucket Rim Thickness	Part Number
✓	26	3/16	33494-1



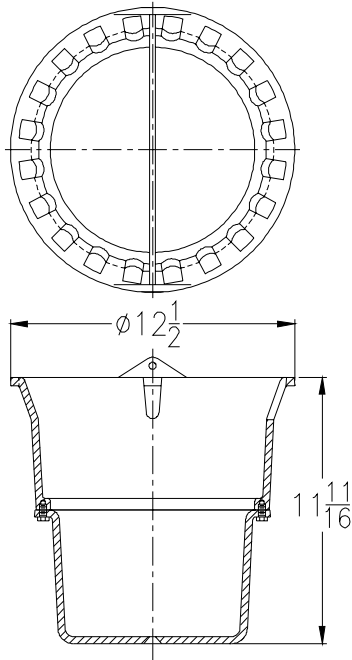
		Z664	
Please Check	Item No.	Part Number	
✓	27	66303-1	



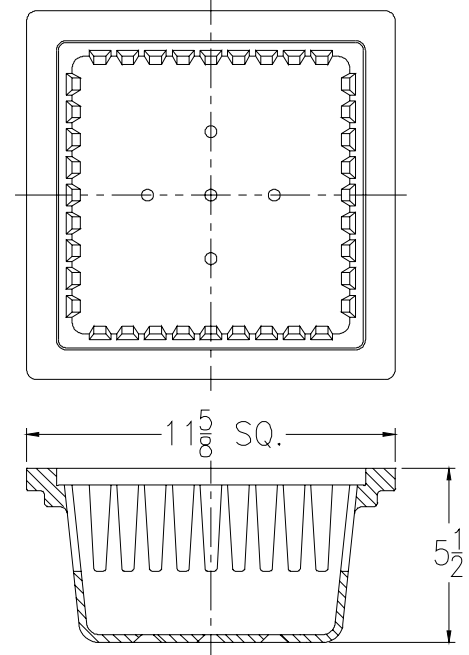
		Z665	
Please Check	Item No.	Bucket Rim Thickness	Part Number
✓	28	9/16	2137-3



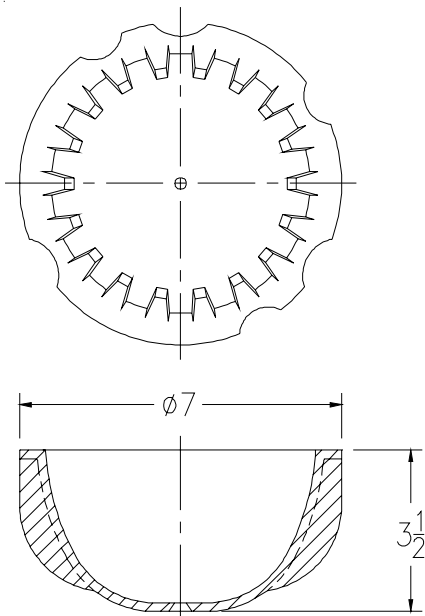
Replacement Buckets



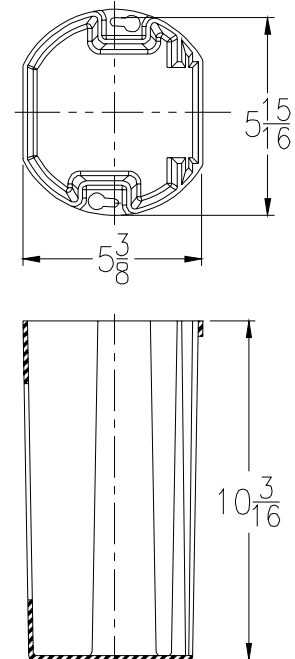
Please Check ✓	Item No.	Z690	
		Bucket Rim Thickness	Part Numbers
	29	3/8	51861-1 & 56863-1



Please Check ✓	Item No.	Z675	
		Bucket Rim Thickness	Part Number
	30	23/32	46580-1



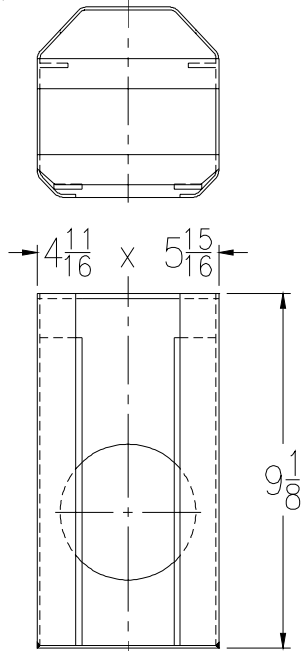
Please Check ✓	Item No.	Z730
		Part Number
	31	2960-1



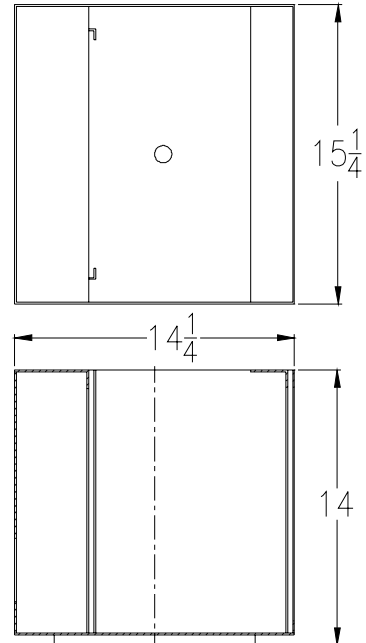
Please Check ✓	Item No.	Z1180, Z1184 (Plastic)
		Part Number
	32	61746-1



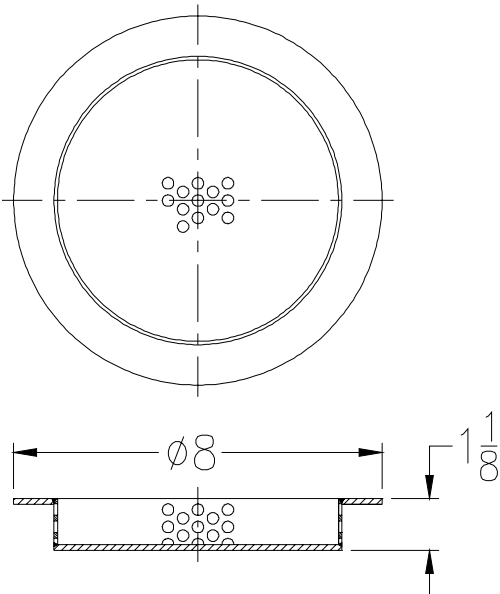
Replacement Buckets



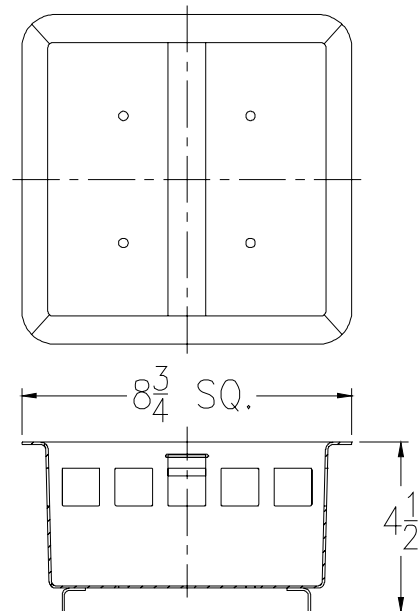
Please Check ✓	Item No.	ZA1180	
		Bucket	Part Number
		33	56437-1



Please Check ✓	Item No.	Z1181	
		Bucket	Part Number
		34	54061-1



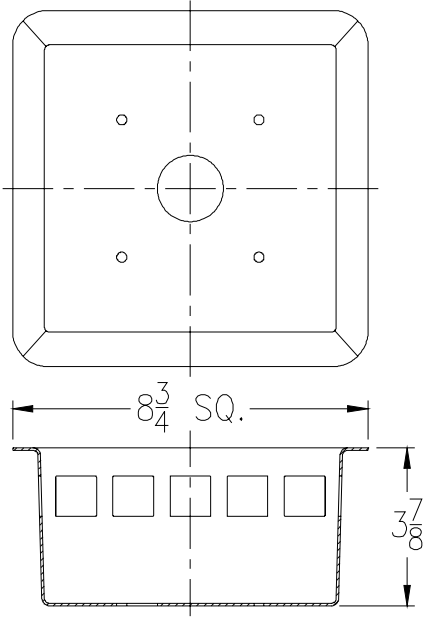
Please Check ✓	Item No.	Z1719, Z1731	
		Bucket Rim Thickness	Part Number
		1/8	53794-1



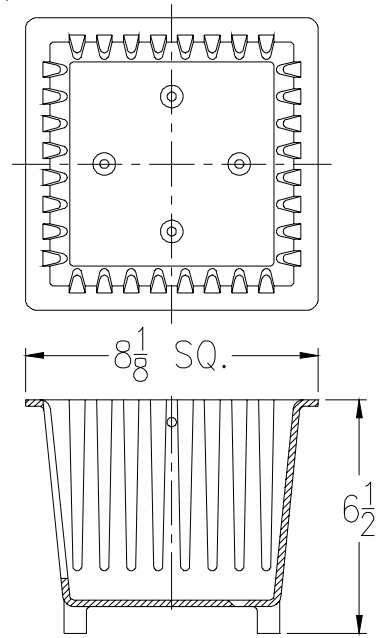
Please Check ✓	Item No.	Z1750, Z1751, Z1752	
		Bucket Rim Thickness	Part Number
		#16 Gage	55550-1



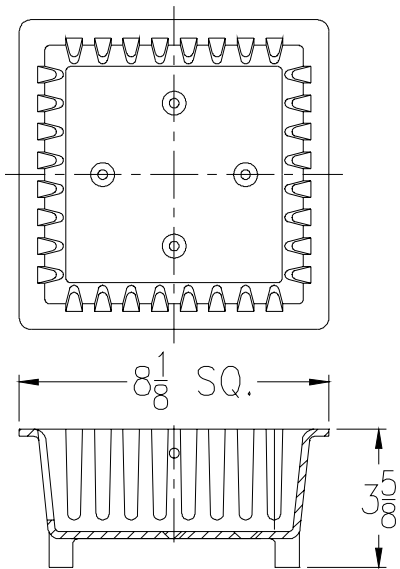
Replacement Buckets



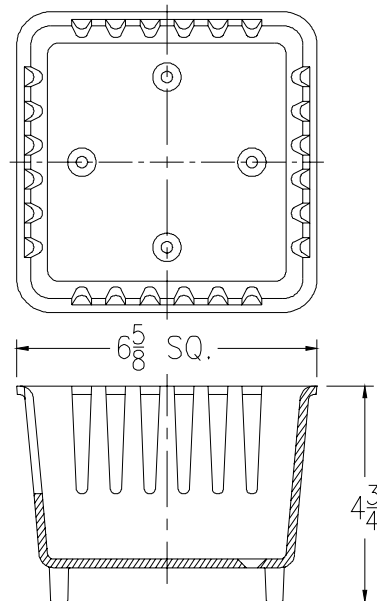
Please Check ✓	Item No.	Z1750, Z1751, Z1752 (Hanging)	
		Bucket Rim Thickness	Part Number
	37	#16 Gage	55550-2



Please Check ✓	Item No.	Z1900, Z1901, Z1902 (Standard)	
		Bucket Rim Thickness	Part Number
	38	3/16	45071-1



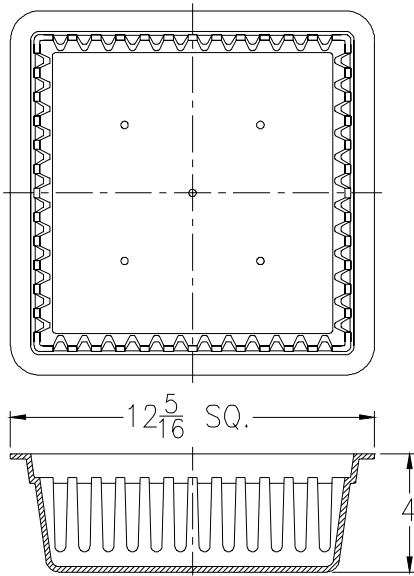
Please Check ✓	Item No.	Z1900, Z1901, Z1902 (Shallow)	
		Bucket Rim Thickness	Part Number
	39	3/16	45071-2



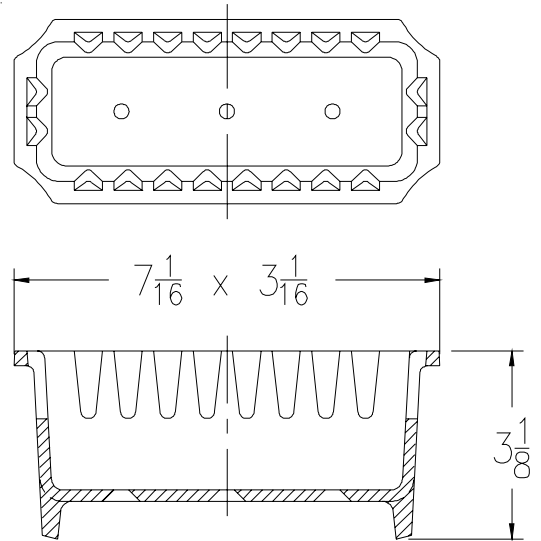
Please Check ✓	Item No.	Z1910	
		Bucket Rim Thickness	Part Number
	40	3/16	57114-1



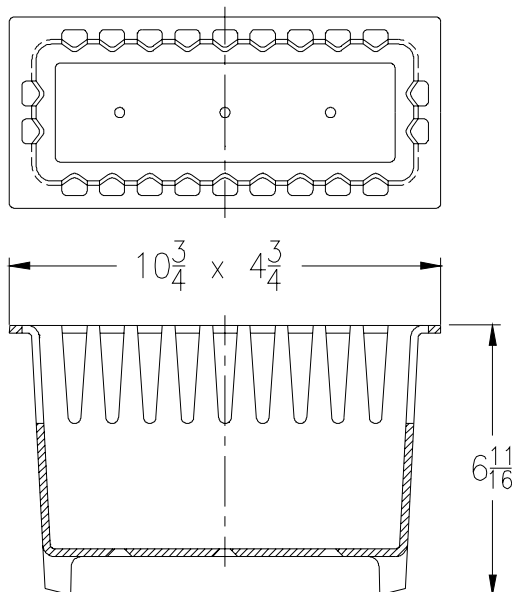
Replacement Buckets



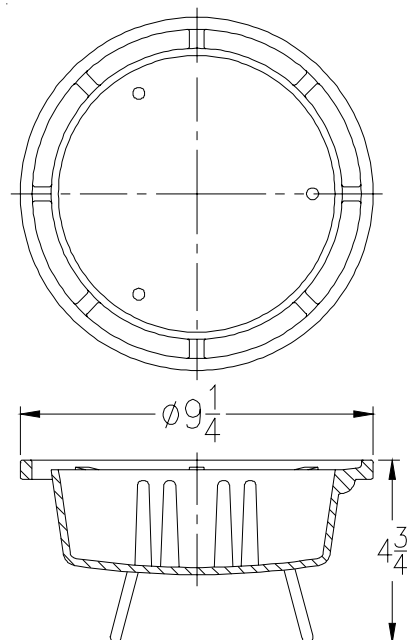
		Z1920, Z1926	
Please Check	Item No.	Bucket Rim Thickness	Part Number
<input checked="" type="checkbox"/>	41	3/16	2253-2



		Z1930	
Please Check	Item No.	Bucket Rim Thickness	Part Number
<input checked="" type="checkbox"/>	42	1/4	50023-1



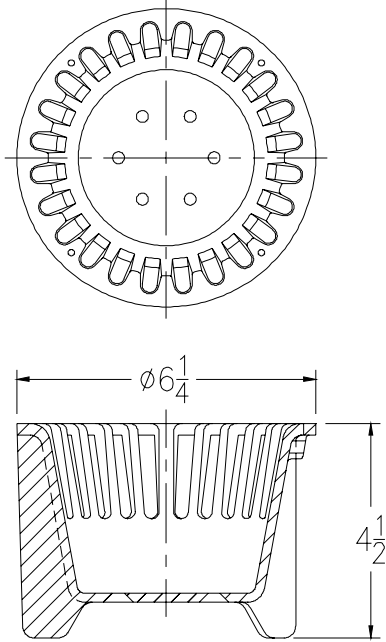
		Z1940	
Please Check	Item No.	Bucket Rim Thickness	Part Number
<input checked="" type="checkbox"/>	43	3/16	53246-1



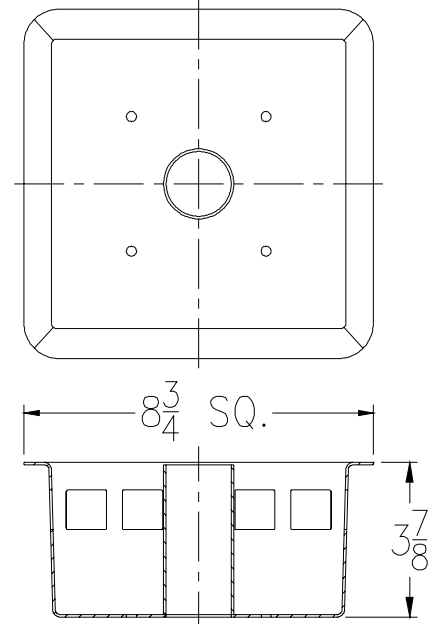
		Z1950	
Please Check	Item No.	Bucket Rim Thickness	Part Number
<input checked="" type="checkbox"/>	44	1/2	7681-1



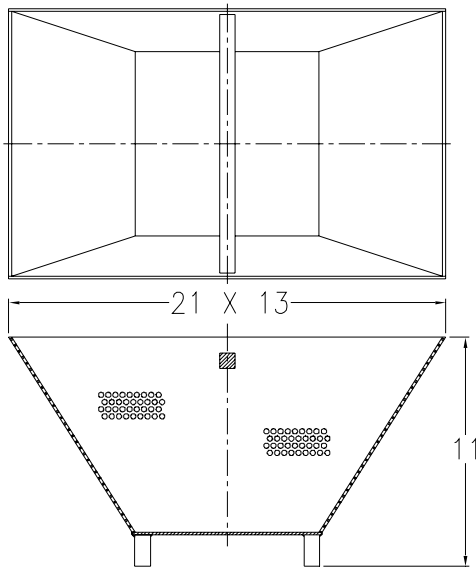
Replacement Buckets



		Z1960	
Please Check	Item No.	Bucket Rim Thickness	Part Number
<input checked="" type="checkbox"/>	45	1/4	46694-2



		Z1982	
Please Check	Item No.	Bucket Rim Thickness	Part Number
<input checked="" type="checkbox"/>	46	#16 Gage	55550-3



		Z1995	
Please Check	Item No.	Part Number	
<input checked="" type="checkbox"/>	47	53649-1	