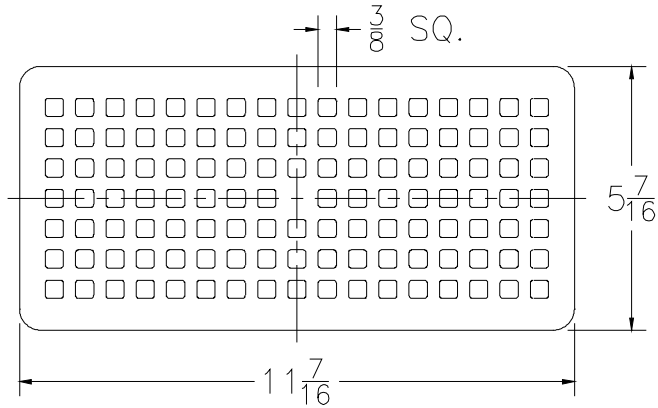


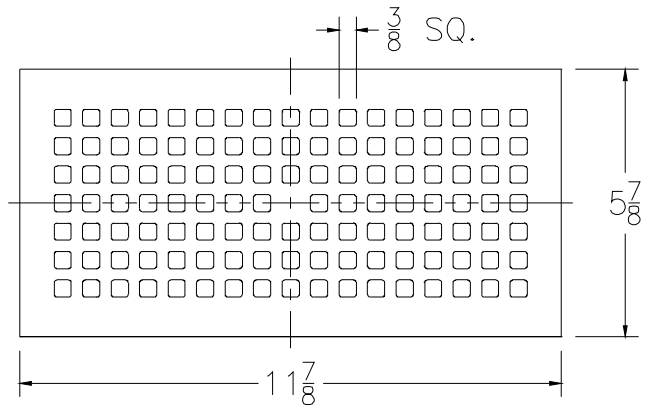


# Z1940 & ZN1940 Replacement Grates & Covers



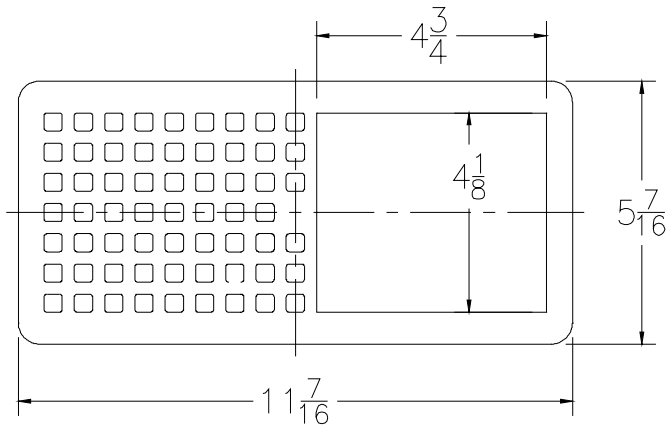
**Full Grate**

| Please Check<br>✓ | Item No. | Z1940               |                         |             |
|-------------------|----------|---------------------|-------------------------|-------------|
|                   |          | Grate Rim Thickness | Grate Open Area Sq. In. | Part Number |
| ✓                 | 1        | 3/8                 | 16                      | 53248-1     |



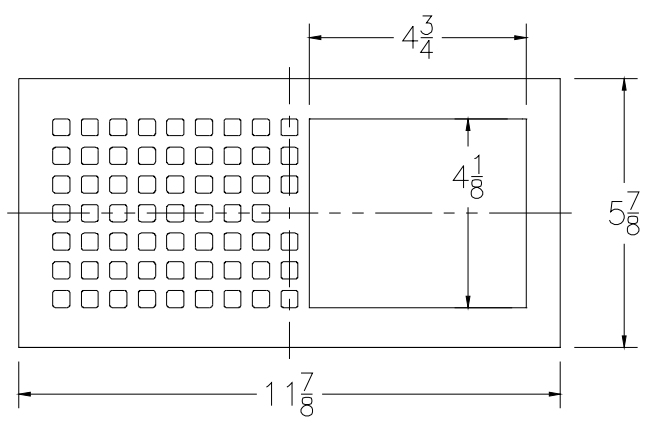
**Full Grate**

| Please Check<br>✓ | Item No. | ZN1940              |                         |             |
|-------------------|----------|---------------------|-------------------------|-------------|
|                   |          | Grate Rim Thickness | Grate Open Area Sq. In. | Part Number |
| ✓                 | 2        | 3/16                | 16                      | 53250-1     |



**-2 Half Grate**

| Please Check<br>✓ | Item No. | Z1940               |                         |             |
|-------------------|----------|---------------------|-------------------------|-------------|
|                   |          | Grate Rim Thickness | Grate Open Area Sq. In. | Part Number |
| ✓                 | 3        | 3/8                 | 28                      | 53248-2     |

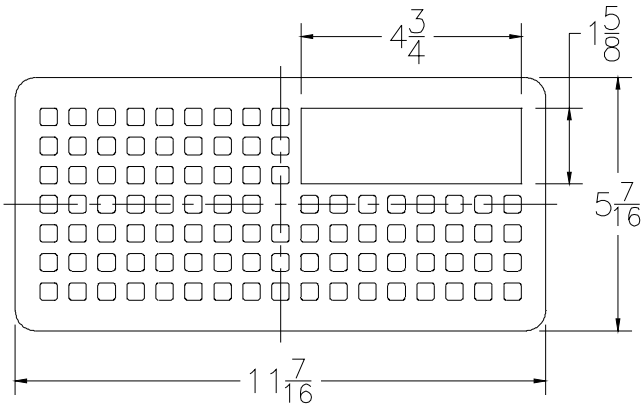


**-2 Half Grate**

| Please Check<br>✓ | Item No. | ZN1940              |                         |             |
|-------------------|----------|---------------------|-------------------------|-------------|
|                   |          | Grate Rim Thickness | Grate Open Area Sq. In. | Part Number |
| ✓                 | 4        | 3/16                | 28                      | 53250-3     |

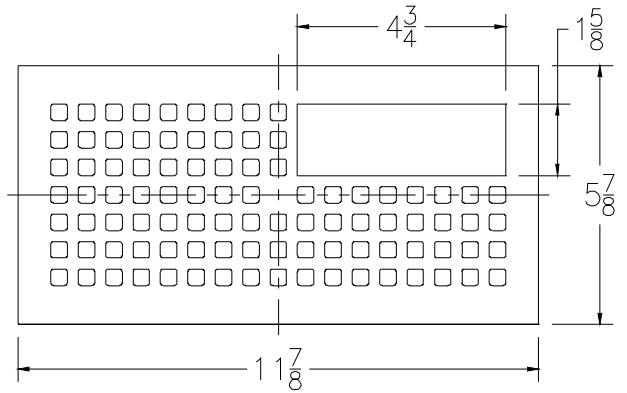


# Z1940 & ZN1940 Replacement Grates & Covers



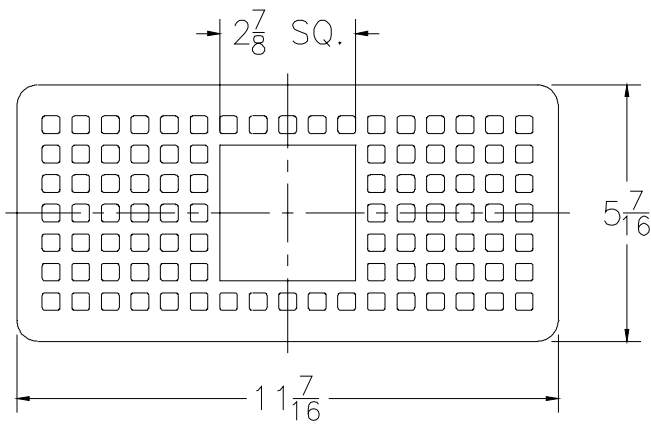
-3 Three Quarter Grate

| Please Check<br>✓ | Item No. | Z1940               |                         |             |
|-------------------|----------|---------------------|-------------------------|-------------|
|                   |          | Grate Rim Thickness | Grate Open Area Sq. In. | Part Number |
| ✓                 | 5        | 3/8                 | 21                      | 53248-3     |



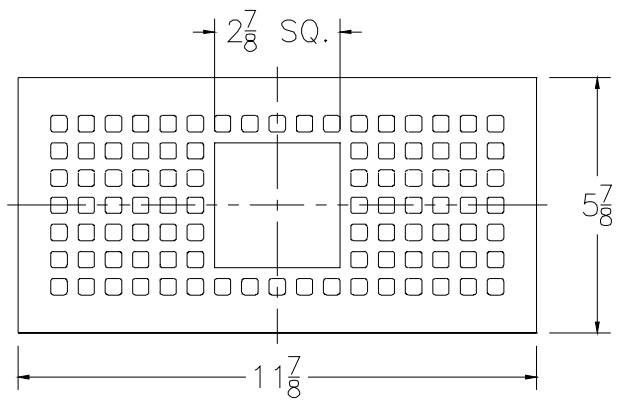
-3 Three Quarter Grate

| Please Check<br>✓ | Item No. | ZN1940              |                         |             |
|-------------------|----------|---------------------|-------------------------|-------------|
|                   |          | Grate Rim Thickness | Grate Open Area Sq. In. | Part Number |
| ✓                 | 6        | 3/16                | 21                      | 53250-5     |



-4 Full Grate w/ Square Center Opening

| Please Check<br>✓ | Item No. | Z1940               |                         |             |
|-------------------|----------|---------------------|-------------------------|-------------|
|                   |          | Grate Rim Thickness | Grate Open Area Sq. In. | Part Number |
| ✓                 | 7        | 3/8                 | 21                      | 53248-4     |

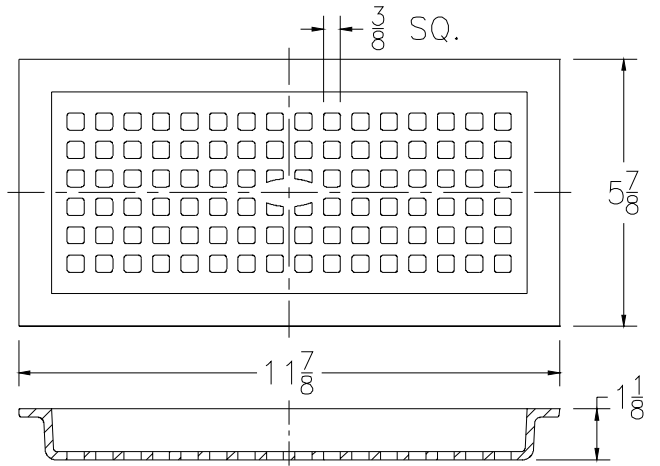


-4 Full Grate w/ Square Center Opening

| Please Check<br>✓ | Item No. | ZN1940              |                         |             |
|-------------------|----------|---------------------|-------------------------|-------------|
|                   |          | Grate Rim Thickness | Grate Open Area Sq. In. | Part Number |
| ✓                 | 8        | 3/16                | 21                      | 53250-7     |



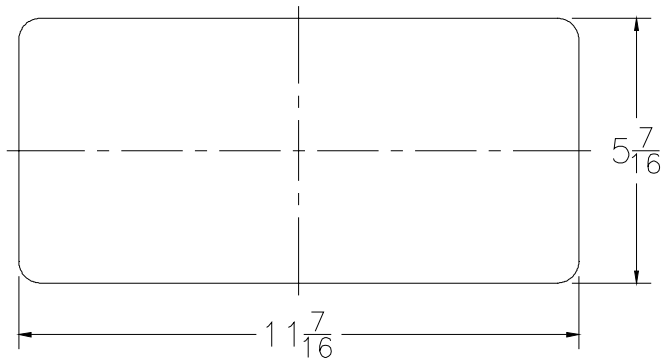
# Z1940 & ZN1940 Replacement Grates & Covers



-12 Depressed Aluminum Grate  
Not Available on the  
Z1940

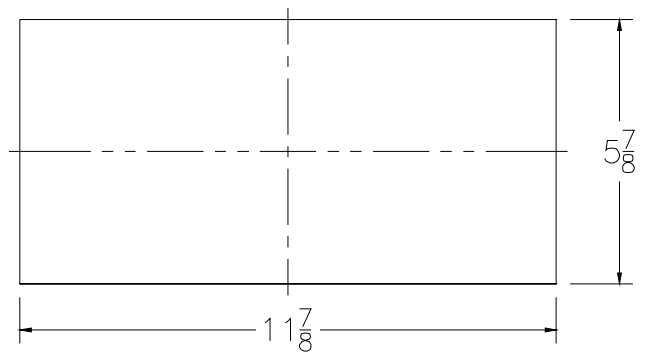
-12 Depressed Aluminum Grate

| Please Check<br>✓ | Item No. | Z1940               |                         |             |
|-------------------|----------|---------------------|-------------------------|-------------|
|                   |          | Cover Rim Thickness | Cover Open Area Sq. In. | Part Number |
| ✓                 | 9        | 3/16                | 20                      | 53251-1     |



-15 Solid Loose Set Cover

| Please Check<br>✓ | Item No. | Z1940               |             |
|-------------------|----------|---------------------|-------------|
|                   |          | Cover Rim Thickness | Part Number |
| ✓                 | 10       | 3/8                 | 53248-5     |

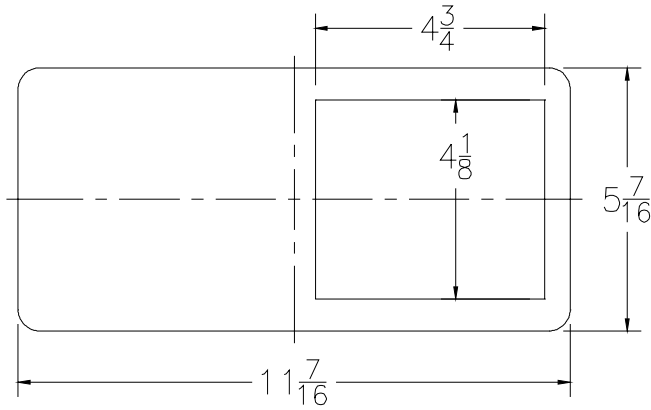


-15 Solid Loose Set Cover

| Please Check<br>✓ | Item No. | ZN1940              |             |
|-------------------|----------|---------------------|-------------|
|                   |          | Cover Rim Thickness | Part Number |
| ✓                 | 11       | 3/16                | 53250-9     |

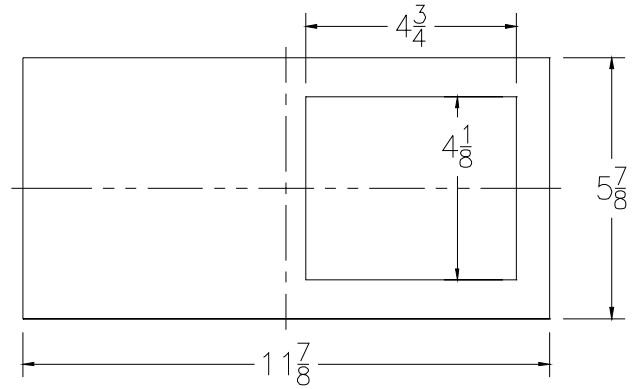


# Z1940 & ZN1940 Replacement Grates & Covers



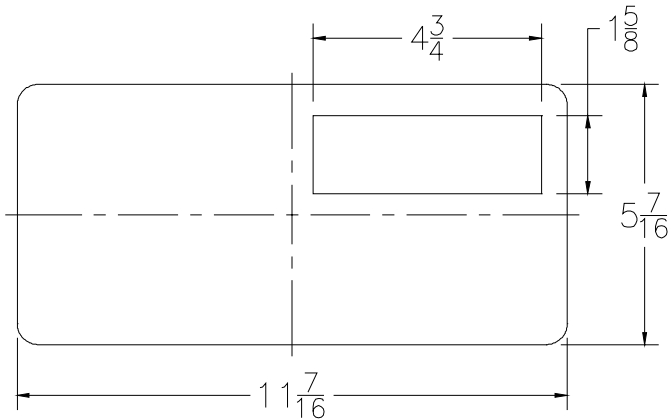
-16 Half Solid Loose Set Cover

| Please Check<br>✓ | Item No. | Z1940               |                         |             |
|-------------------|----------|---------------------|-------------------------|-------------|
|                   |          | Cover Rim Thickness | Cover Open Area Sq. In. | Part Number |
|                   | 12       | 3/8                 | 20                      | 53248-6     |



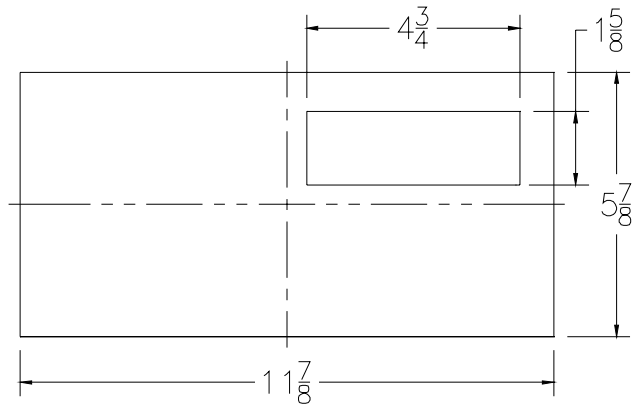
-16 Half Solid Loose Set Cover

| Please Check<br>✓ | Item No. | ZN1940              |                         |             |
|-------------------|----------|---------------------|-------------------------|-------------|
|                   |          | Cover Rim Thickness | Cover Open Area Sq. In. | Part Number |
|                   | 13       | 3/16                | 20                      | 53250-11    |



-17 Three Quarter Solid Loose Set Cover

| Please Check<br>✓ | Item No. | Z1940               |                         |             |
|-------------------|----------|---------------------|-------------------------|-------------|
|                   |          | Cover Rim Thickness | Cover Open Area Sq. In. | Part Number |
|                   | 14       | 3/8                 | 8                       | 53248-7     |



-17 Three Quarter Solid Loose Set Cover

| Please Check<br>✓ | Item No. | ZN1940              |                         |             |
|-------------------|----------|---------------------|-------------------------|-------------|
|                   |          | Cover Rim Thickness | Cover Open Area Sq. In. | Part Number |
|                   | 15       | 3/16                | 8                       | 53250-13    |