

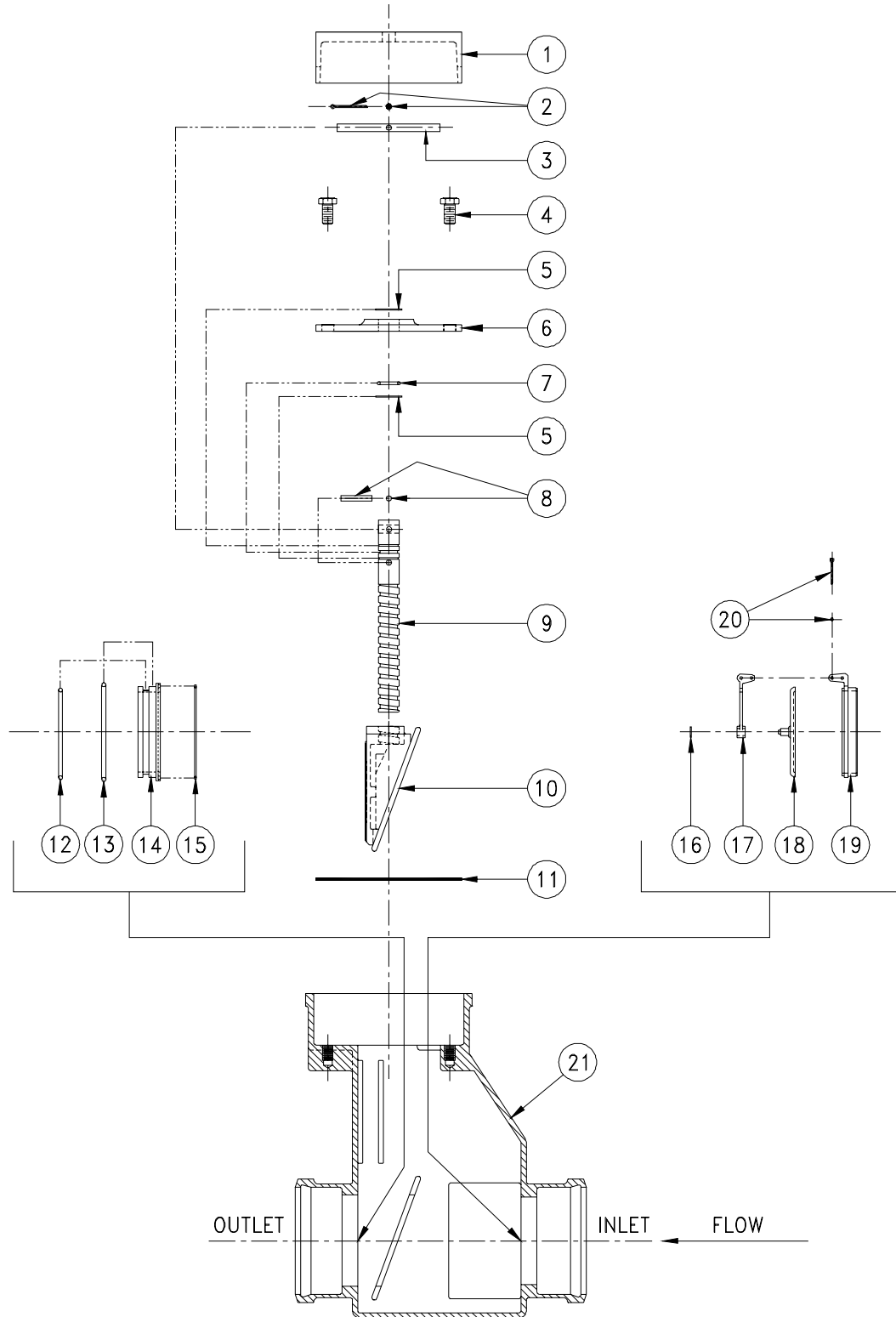


Z1088

4" GATE TYPE BACKWATER VALVE

EXPLODED PARTS LIST

Dimensional Data (inches and [mm]) are Subject to Manufacturing Tolerances and Change Without Notice



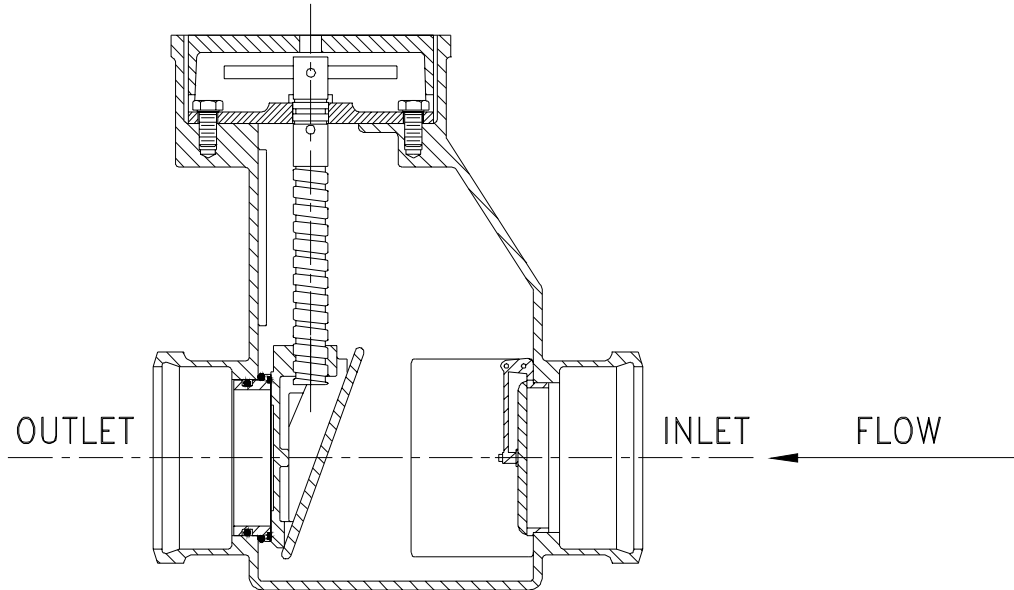


Z1088

4" GATE TYPE BACKWATER VALVE

EXPLODED PARTS LIST

Dimensional Data (inches and [mm]) are Subject to Manufacturing Tolerances and Change Without Notice



Z1088

PARTS LIST

Item	Name	Part Number	Quan.
1	Cover	38237-001	1
2	Cotter Pin	06808-020	1 *
3	Handle	38239-001	1 *
4	1/2-13 x 1 HHCS	26050-081	4
5	Snap Ring	05160-098	2 *
6	Flange	38236-001	1
7	1 x 13/16 O-Ring	23750-267	1 *
8	Roll Pin	45553-001	1 *
9	Operating Stem	38235-001	1 *
10	Valve	38247-001	1 *
11	Gasket	38244-001	1
12	4 3/4 x 4 3/8 O-Ring	23750-092	1
13	4 3/4 x 4 O-Ring	23750-083	1
14	Seat	45696-001	1
15	3 3/4 x 3 1/2 O-Ring	23750-068	1
16	Washer	14859-014	1
17	Arm	45253-001	1
18	Flap	45252-001	1
19	Seat	45251-001	1
20	Cotter Pin	06808-031	1
21	Body (Hub x Hub)	38234-001	1

* Items are available in Bag # 66955-182-90

Form # T18 Date: 8/26/08 C.N. No. 99012 Rev. A Page 2 of 2