

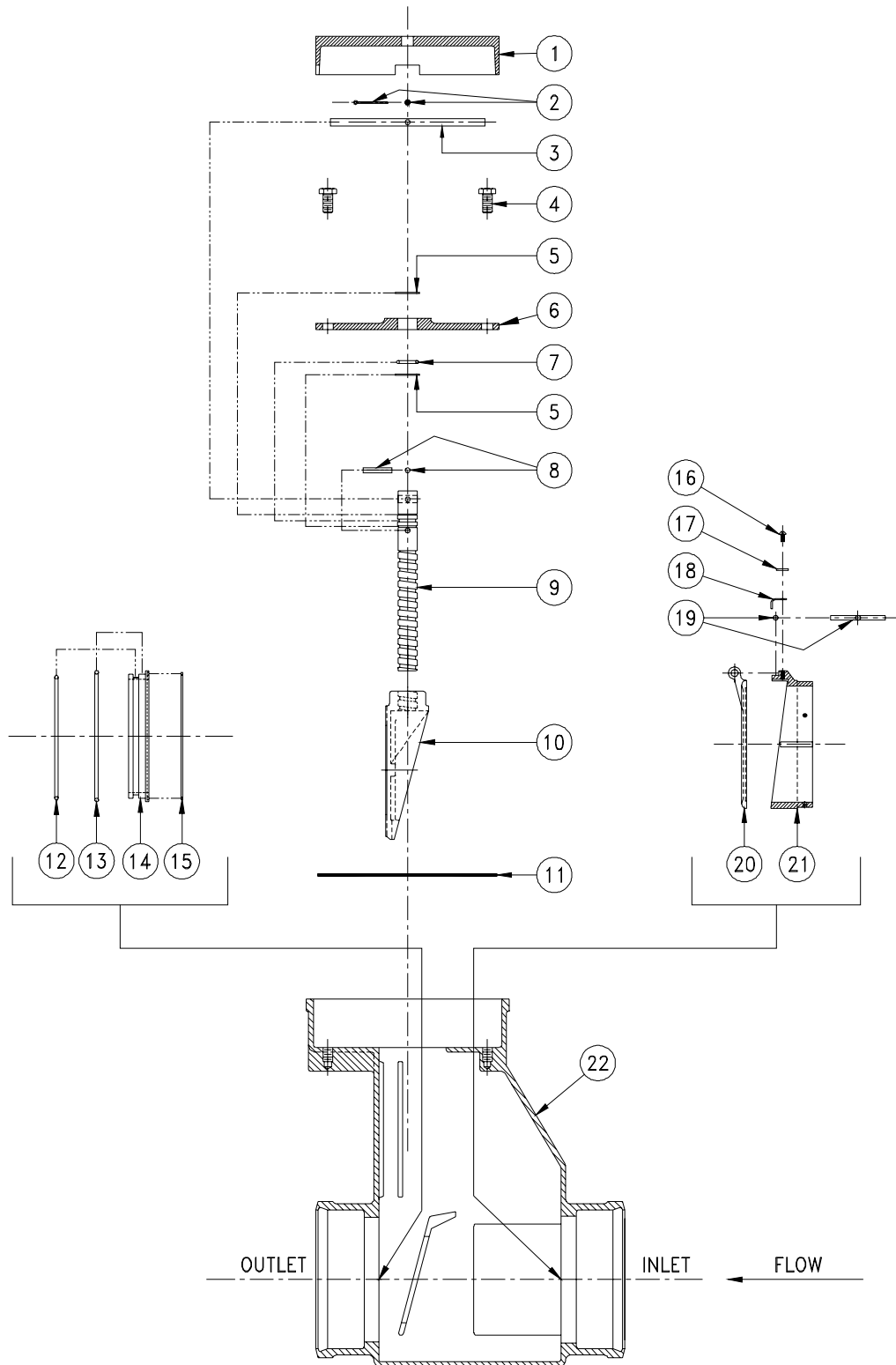


Z1088

6" GATE TYPE BACKWATER VALVE

EXPLODED PARTS LIST

Dimensional Data (inches and [mm]) are Subject to Manufacturing Tolerances and Change Without Notice



Form # T19	Date: 8/26/08	C.N. No. 99013	Rev. A	1 of 2
------------	---------------	----------------	--------	--------

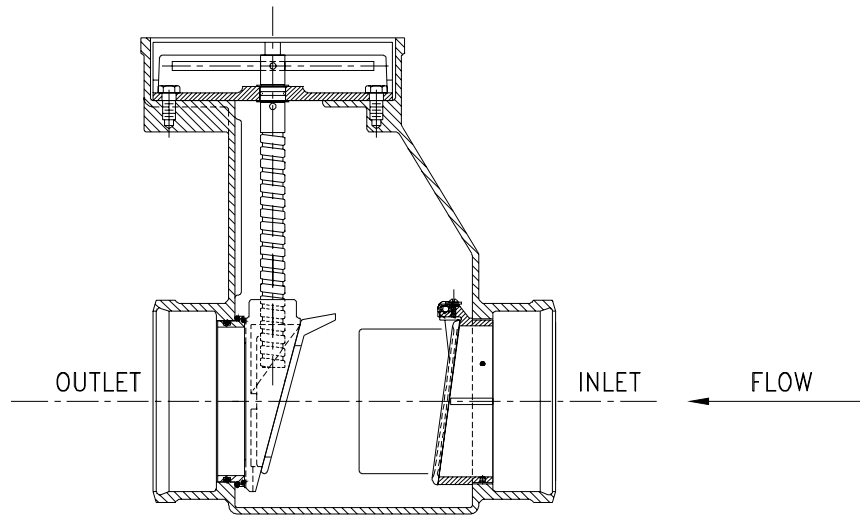


Z1088

6" GATE TYPE BACKWATER VALVE

EXPLODED PARTS LIST

Dimensional Data (inches and [mm]) are Subject to Manufacturing Tolerances and Change Without Notice



Z1088

PARTS LIST

Item	Name	Part Number	Quan.
1	Cover	38249-001	1
2	Cotter Pin	06808-020	1 *
3	Handle	38239-002	1 *
4	1/2-13 x 1 HHCS	26050-081	4
5	Snap Ring	05160-098	2 *
6	Flange	38251-001	1
7	1 x 13/16 O-Ring	23750-267	1 *
8	Roll Pin	45553-001	1 *
9	Operating Stem	38235-001	1 *
10	Valve	38256-001	1 *
11	Gasket	38244-002	1
12	6 3/8 x 6 O-Ring	23750-187	1
13	6 5/8 x 6 1/4 O-Ring	23750-188	1
14	Seat	45718-001	1
15	5 1/4 x 5 O-Ring	23750-149	1
16	#10-24 x 3/8 RHMS	14853-042	2
17	Washer	14859-001	2
18	Angle Plate	02396-005	1
19	Pin	02396-004	1
20	Flap	02394-001	1
21	Seat	23442-001	1
22	Body (Hub x Hub)	38248-001	1

* Items are available in Bag # 66955-183-90

Form # T19	Date: 8/26/08	C.N. No. 99013	Rev. A	2 of 2
------------	---------------	----------------	--------	--------