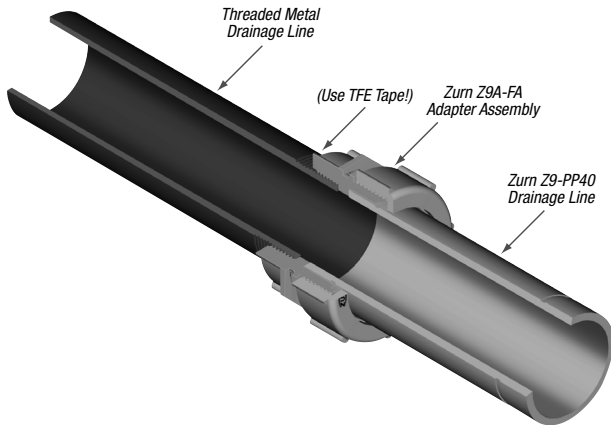


## ADAPTING TO OTHER SYSTEMS — POLYPROPYLENE

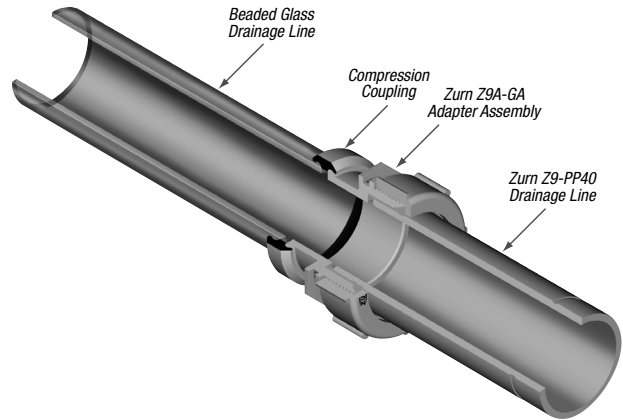
### Female Thread Adapter

To adapt to threaded metal drainage pipe, use a ZURN Z9A-FA screw-on adapter assembly. Use TFE tape on threaded metal pipe.



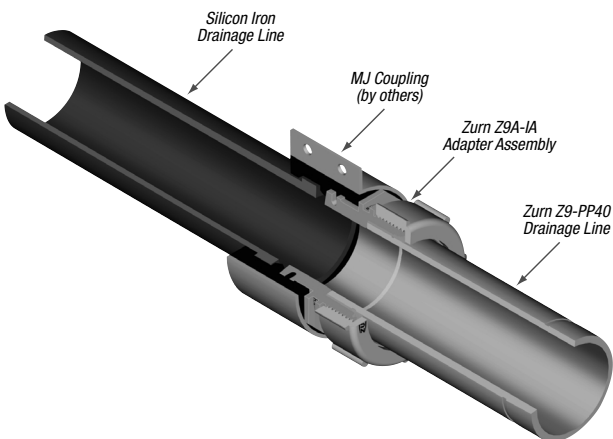
### Glass Adapter

To adapt to glass systems, use a ZURN Z9A-GA adapter assembly with a compression coupling available from glass system manufacturer/vendor.



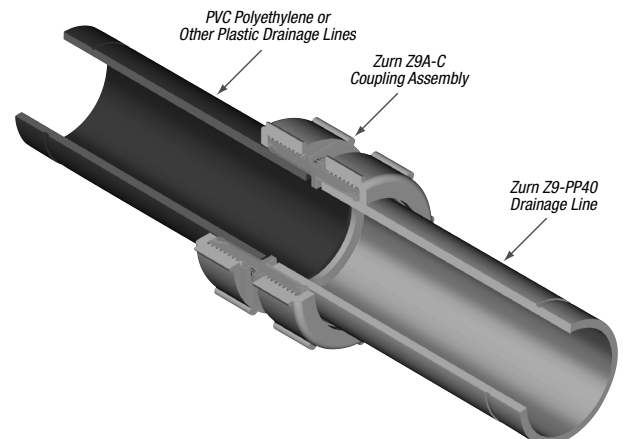
### Iron Pipe Adapter

To adapt to iron pipe systems, use a ZURN Z9A-IA adapter assembly with an MJ coupling available from silicon iron pipe manufacturer.



### PVDF or Other Plastic Adapter

To adapt to other plastic drain pipes. Groove "others" plastic pipe using ZURN Z9-GRVR grooving tool and use with a ZURN Z9A-C PVC coupling assembly.



### Caulk Joint

To adapt to metal bell pipe, follow these directions:

1. Score pipe end (use coarse file or emery cloth).
2. Insert ZURN Z9-PP40 pipe to stop.
3. Pack hub half full. Use acid resistant oakum.
4. Caulk with acid proof cement, lead wool, or hot lead.

