



Z5630

1.6 GPF Elongated, Floor Mounted,
Back Outlet Flush Valve Toilet

TAG _____



Z5630

- 1.6 gpf (gallons per flush)
- Vitreous china
- Elongated front rim
- 4-1/8" back outlet rough-in
- Siphon jet flush action
- 1-1/2" top spud
- Includes bolt caps
- Shipping weight: 49 lbs.

Z5630 Series

Recommended Trim:

- Z6000AV-WS1** AquaVantage® 'AV' low consumption 1.6 gpf exposed closet flush valve.
- Z5955SS-EL** Elongated, standard white, open front toilet seat less cover with stainless steel check hinge.

Optional Water-Savings Trim:

- Z6000AV-DF-WS1** AquaVantage® AV dual flush water-conserving exposed closet flush valve (estimated 30% potential water savings).

Engineering Specification:

- Z5630 with Top Spud**
Vitreous china, 1.6 gpf [6 Lpf] low consumption, elongated front rim, siphon jet action, floor mounted flush valve toilet with 1-1/2" top spud and 4-1/8" back outlet rough-in.
- Z5631 with Top Spud and Bedpan Lugs**
Vitreous china, 1.6 gpf [6 Lpf] low consumption, elongated front rim designed to accommodate a bedpan, siphon jet action, floor mounted flush valve toilet with 1-1/2" top spud and 4-1/8" back outlet rough-in.

This space is for Architectural/engineering Approval

These dimensions and specifications are subject to change without notice.

Fixture dimensions meet ANSI/ASME standard A112.19.2-2003 and CAN/CSA B45 requirements.

Zurn Plumbing Products Group Commercial Brass and Fixtures Operation
2640 South Work Street · Falconer, NY 14733 · Phone: 716-665-1132 · Fax: 716-665-1135 · www.zurn.com



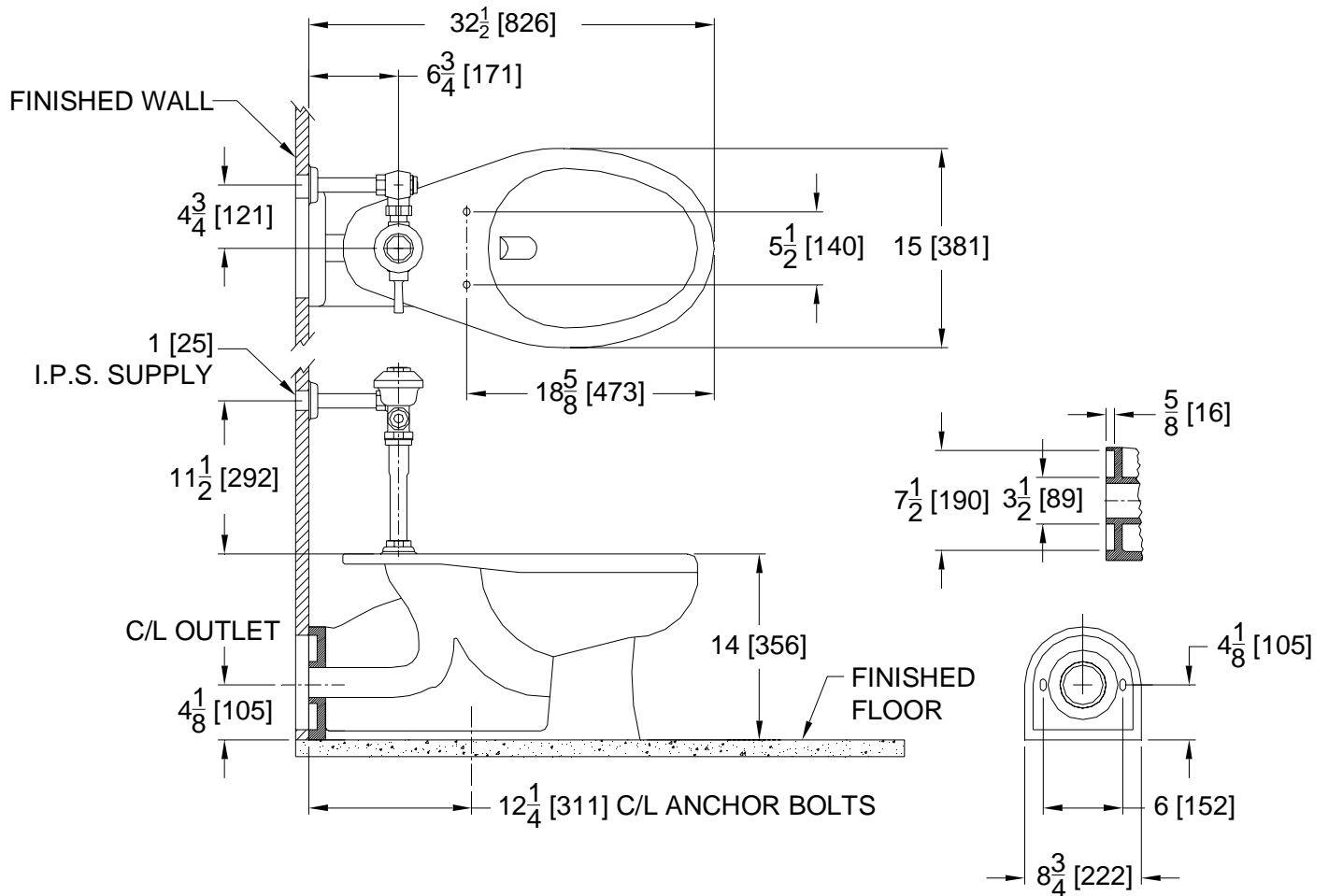
Z5630

1.6 GPF Elongated, Floor Mounted, Back Outlet Flush Valve Toilet Rough-in

TAG _____

Rough-in dimensions for Z5630 Series

- Z5630 with top spud
- Z5631 with top spud and bedpan lugs



These dimensions and specifications are subject to change without notice.

Fixture dimensions meet ANSI/ASME standard A112.19.2-2003 and CAN/CSA B45 requirements.

Zurn Plumbing Products Group Commercial Brass and Fixtures Operation
2640 South Work Street · Falconer, NY 14733 · Phone: 716-665-1132 · Fax: 716-665-1135 · www.zurn.com