

# Z5683



## Extra Heavy-Duty Stainless Steel, ZurnSHIELD™ Powder Coated Wall Hung Concealed Flush Valve Toilet

TAG \_\_\_\_\_



### Z5683 ZurnSHIELD™ Coated Heavy-Duty Wall Bowl

- Load tested to withstand 750 lbs. heavy duty load rating using the Zurn (-XH) carrier or 1000 lbs. bariatric load rating using the Zurn (-XB) carrier when tested in accordance with ASME/ANSI A112.19.12 standards.
- Paired system performance is guaranteed when installed with Zurn extra heavy-duty (-XH) or bariatric (-XB) closet carrier, thus eliminating risk of catastrophic load failure.
- 1.6 gallons of water per flush (6 Lpf)
- Antimicrobial powder coated exterior surface
- Brushed stainless steel finish in water contact area of sump
- Manufactured of type 304 stainless steel
- Seamless construction
- 11" x 8" large water spot
- 1-1/2" back spud connection
- 3-1/2" trap seal depth
- Elongated open front, antimicrobial polypropylene seat
- Seat is molded with integral self-centering, non-shift safety bumpers
- Optional brushed stainless steel finish (see model number Z5682)
- Shipping weight: 50 lbs.

### Recommended Heavy-Duty Carrier System:

**Z1201-N-XH:** Adjustable horizontal 750 lb. extra heavy-duty siphon jet water closet carrier system.

**Z1202-N-XH:** Adjustable vertical 750 lb. extra heavy-duty siphon jet water closet carrier system.

**Z1201-N-XB:** Adjustable horizontal 1,000 lb. bariatric siphon jet water closet carrier system.

**Z1202-N-XB:** Adjustable vertical 1,000 lb. bariatric siphon jet water closet carrier system.

*Note: To ensure system performance minimum running water pressure = 25 PSI*

*These dimensions and specifications are subject to change without notice.*

*Fixture dimensions meet ANSI/ASME standard A112.19.2 and CAN/CSA B45 requirements.*

*Meets the American Disabilities Guidelines and ANSI A117.1 requirements when installed according to these requirements.*



This space is for Architectural/engineering Approval

### **Engineering Specification: Z5683 Antimicrobial Powder Coated Extra Heavy-Duty ZurnSHIELD™ Steel Wall Mounted Toilet**

ZurnSHIELD™ powder coated stainless steel extra heavy duty wall mounted 1.6 gpf (6 Lpf) low consumption concealed siphon jet toilet with custom elongated seat. Toilet is seamlessly welded #16 gage, type 304 stainless steel with white antimicrobial powder coated exterior, brushed stainless steel finish in water contact area of sump, elongated rim and 1-1/2" back spud inlet connection. Matching elongated seat is made from antimicrobial polypropylene and is designed with integral self-centering safety bumpers that prevent unwanted patient weight shifts. Toilet system is load tested to withstand up to 750 lbs. when installed with the Zurn (-XH) carrier system, or up to 1,000 lbs. using the Zurn (-XB) carrier system without significant deflection or risk of catastrophic failure.

See Zurn One Systems for suggested packages.

ZURN INDUSTRIES, LLC. ♦ COMMERCIAL BRASS OPERATION ♦ 5900 ELWIN BUCHANAN DRIVE ♦ SANFORD NC 27330

Phone: 1-800-997-3876 ♦ Fax: 919-775-3541 ♦ World Wide Web: www.zurn.com

In Canada: ZURN INDUSTRIES LIMITED ♦ 3544 Nashua Drive ♦ Mississauga, Ontario L4V1L2 ♦ Phone: 905-405-8272 Fax: 905-405-1292



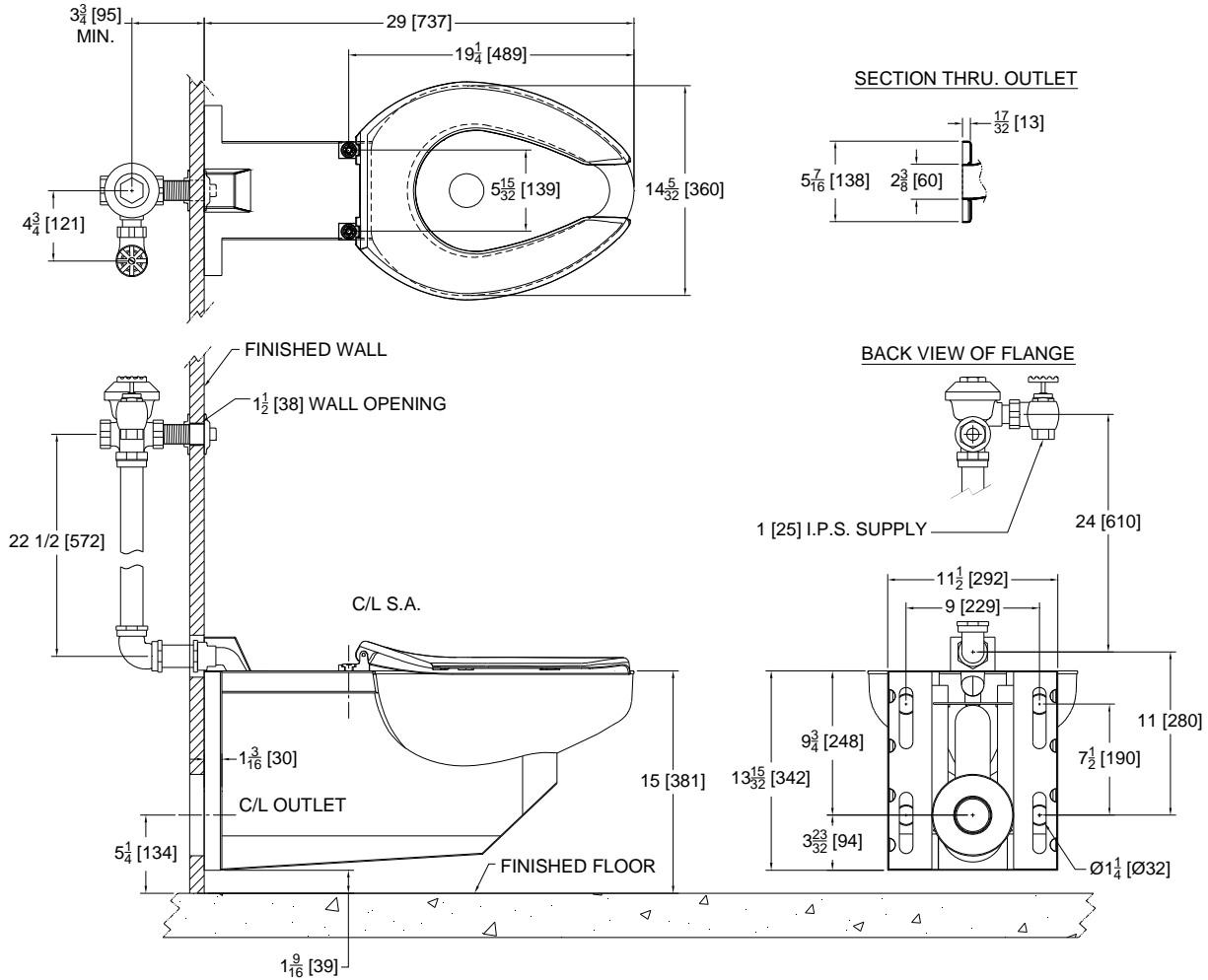
# Z5683

## Extra Heavy-Duty Stainless Steel, ZurnSHIELD™ Powder Coated Wall Hung Concealed Flush Valve Toilet

TAG \_\_\_\_\_

Rough-in dimensions for Z5682 and Z5683 Series

- Z5682 with back spud and brushed stainless steel finish.
- Z5683 with back spud and ZurnSHIELD™ powder coated finish. (Note: water contact area in bowl sump is uncoated)



These dimensions and specifications are subject to change without notice.

Fixture dimensions meet ANSI/ASME standard A112.19.2 and CAN/CSA B45 requirements.

**Note:** For ADA compliance, rim height should be installed 17" from finished floor.

Meets the American Disabilities Guidelines and ANSI A117.1 requirements when installed according to these requirements.



ZURN INDUSTRIES, LLC. ♦ COMMERCIAL BRASS OPERATION ♦ 5900 ELWIN BUCHANAN DRIVE ♦ SANFORD NC 27330  
Phone: 1-800-997-3876 ♦ Fax: 919-775-3541 ♦ World Wide Web: www.zurn.com

In Canada: ZURN INDUSTRIES LIMITED ♦ 3544 Nashua Drive ♦ Mississauga, Ontario L4V1L2 ♦ Phone: 905-405-8272 Fax: 905-405-1292