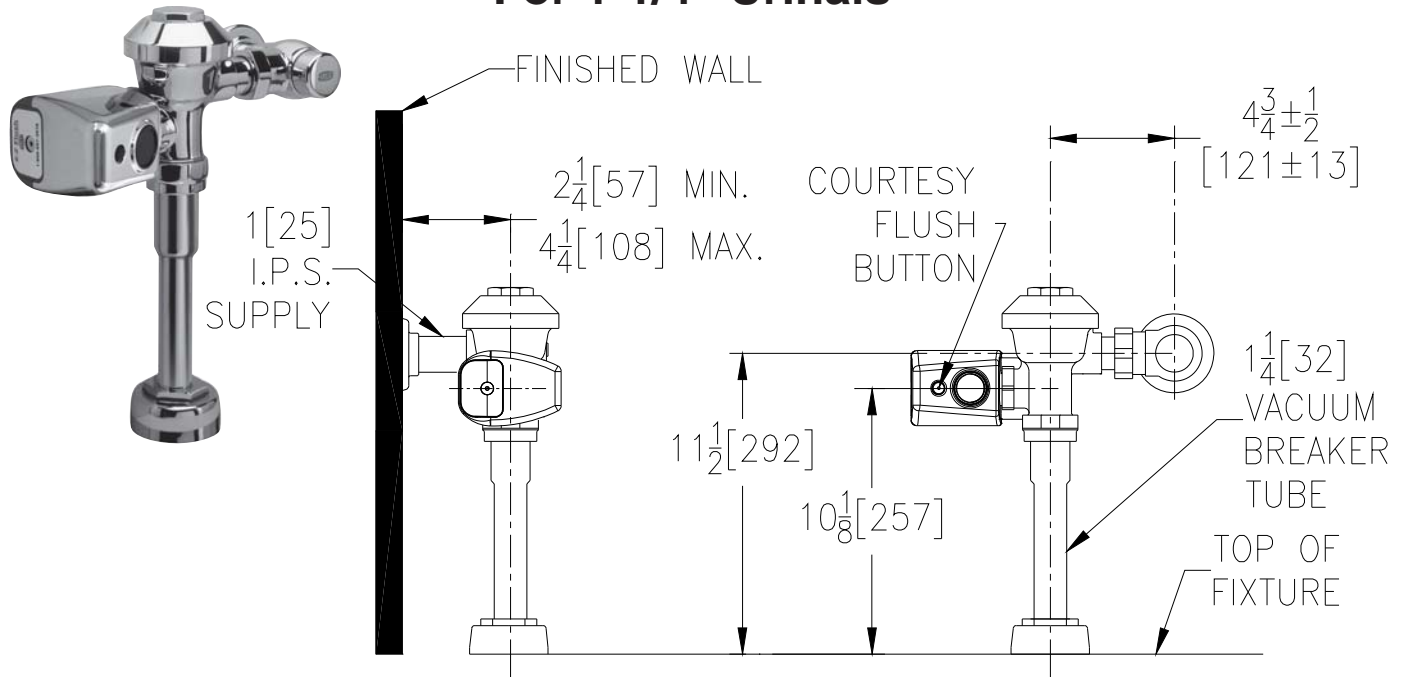




## Exposed ZER6001PL-CP Model Sensor Operated Battery Powered Flush Valve For 1-1/4" Urinals



**Flow Options**

- EWS** 0.5 Gal. Per Flush
- WS1** 1.0 Gal. Low Consumption
- WS** 1.5 Gal. Water Saver
- Standard Flush** 3.0 Gallons Per Flush

**Suffix Options (Check/Specify Appropriate Options)**

- \_\_\_\_\_ **-YJ** Split Ring Pipe Support
- \_\_\_\_\_ **-YK** Solid Ring Pipe Support
- \_\_\_\_\_ **-YO** Bumper On Angle Stop
- \_\_\_\_\_ Other

**ENGINEERING SPECIFICATION: ZURN ZER6001PL-CP AquaSense® Exposed Urinal Flush Valve** - Exposed, quiet diaphragm-type, chrome plated flushometer valve with a polished exterior. Complete with chloramine resistant, dual seal diaphragm with a clog resistant by-pass. The valve incorporates a 6VDC motor actuator, a battery powered automatic sensor, high impact resistant polycarbonate housing and chrome plated plastic cover with manual override push button and 10 degree angled sensor, high back pressure vacuum breaker, one piece hex coupling nut, adjustable tailpiece, spud coupling and flange for top spud connection. Control stop has internal siphon-guard protection. The AquaFlush® Plus is also furnished with a sweat solder kit, vandal resistant stop cap, and cast wall flange with set screw. Internal seals are made of chloramine resistant materials.

This space is for Architectural/engineering Approval