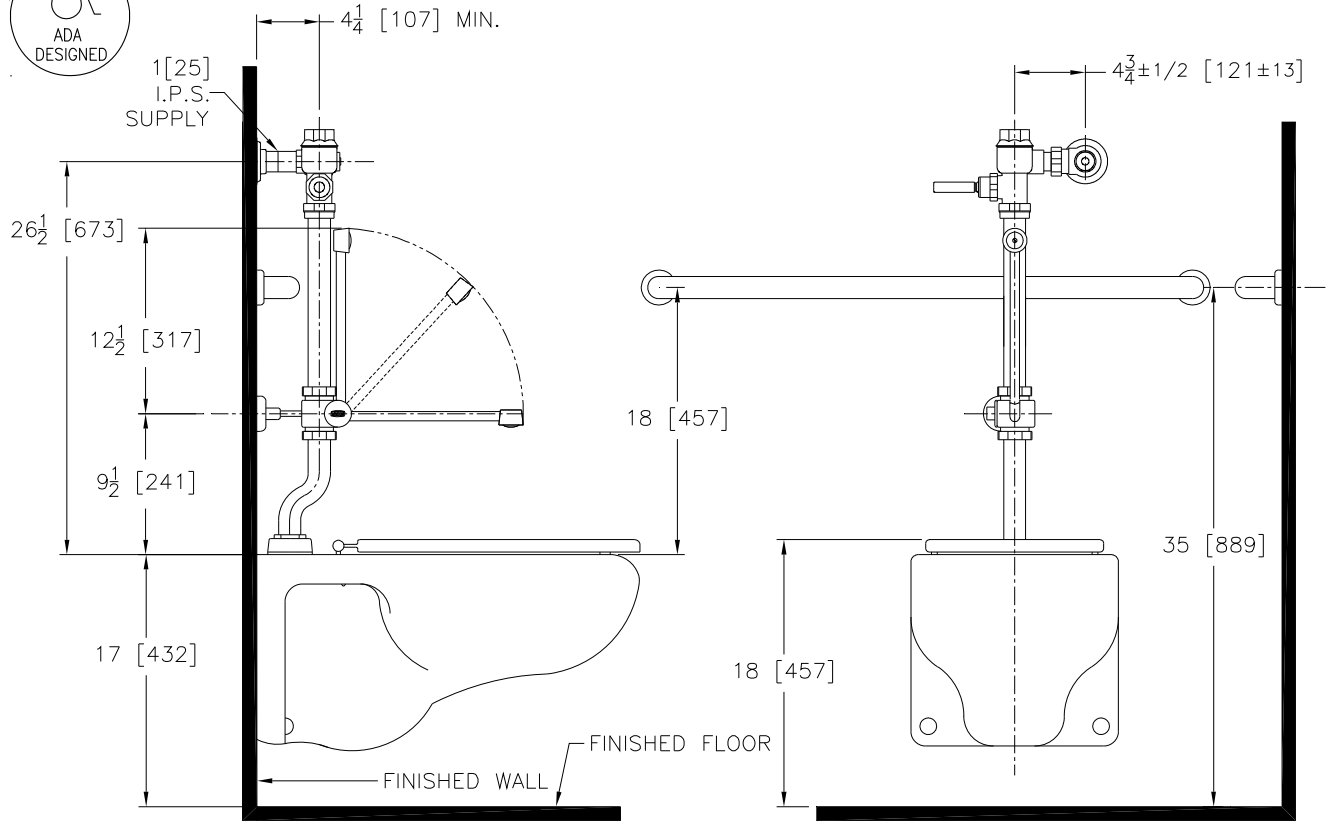




Exposed Z6211-BWN Model with Bedpan Washer for Water Closets



Flow Options

- HET 1.28 GPF
- WS1 1.6 GPF

Suffix Options (Check/Specify Appropriate Options)

- BG BioCare Handle
- DF Dual Flush Handle
- VC Vandal Resistant Stop Cover
- YB Sweat Solder Kit
- YC Cast Wall Flange
- YJ Split Ring Pipe Support
- YK Solid Ring Pipe Support
- Other

ENGINEERING SPECIFICATION: ZURN Z6211-BWN Metroflush Exposed Closet Flush Valve with Bedpan Washer- The Metroflush is an exposed, quiet piston-type, chrome plated, flushometer valve with a polished exterior. Complete with Zurn's MetroVantage chloramine resistant piston with a clog resistant filtered by-pass. Valve is ADA compliant with a non-hold open and no leak handle feature, high back pressure vacuum breaker, bedpan washer assembly, wall bracket and support rod, one piece hex coupling nut, adjustable tailpiece, spud coupling and flange for top spud connection. Control stop has internal siphon-guard protection, vandal resistant stop cap, sweat solder kit, and a cast wall flange with set screw. Internal seals are made of chloramine resistant materials.

This space is for Architectural/Engineering Approval

The information contained in this document is subject to change without notice.
Please contact Zurn for most up to date information.

ZURN INDUSTRIES, LLC. ♦ COMMERCIAL BRASS OPERATION ♦ 5900 ELWIN BUCHANAN DRIVE ♦ SANFORD NC 27330

Phone: 1-800-997-3876 ♦ Fax: 919-775-3541 ♦ World Wide Web: www.zurn.com

In Canada: ZURN INDUSTRIES LIMITED ♦ 3544 Nashua Drive ♦ Mississauga, Ontario L4V1L2 ♦ Phone: 905-405-8272 Fax: 905-405-1292