



AquaFlush®

TAG _____

P6900-ACA-BA

7.5 Volt Universal AC Power Supply

Electrical Specifics:

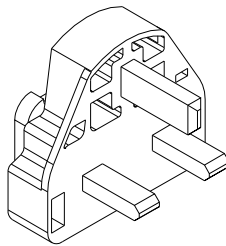
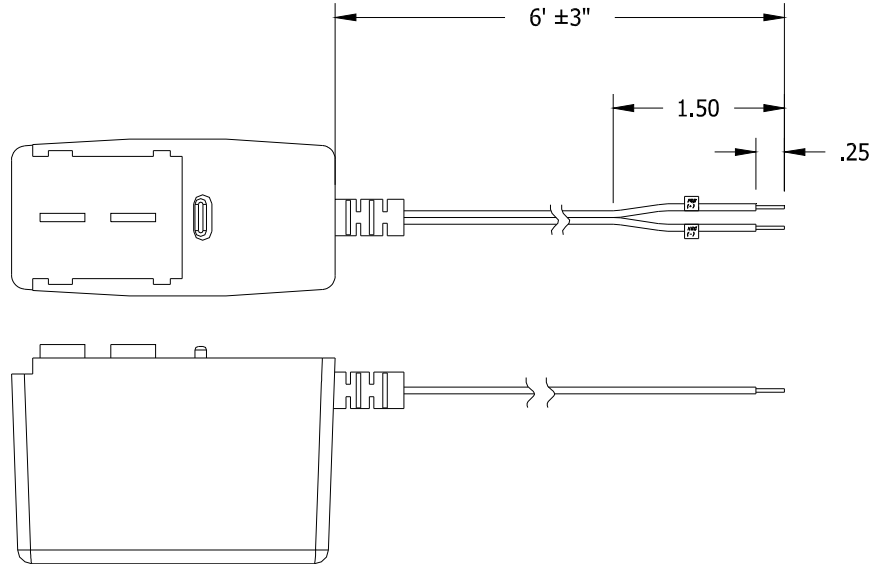
Universal Input: 90-264VAC, 50/60 Hz
Interchangeable AC Plugs
EMI: EN55022 Class B
CISPR/FCC Class B
Continuous short circuit protection
Output Voltage: 7.5 VDC Regulated
Max Load: 1.6A
Efficiency Level 6: 78% min

Part Number: 200179-003

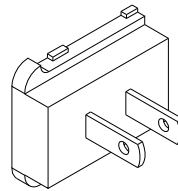
Compliance Certifications:

UL/CSA Listed
CE
TUV/GS
FCC
RoHS

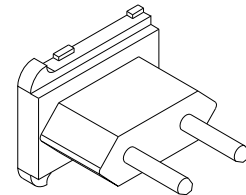
Note: Includes adapters shown.



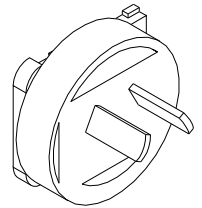
U: British
(3 Pins)



A: USA
(2 Pins)



S: Australia
(2 Pins)



E: Europe
(2 Pins)

ENGINEERING SPECIFICATION: ZURN P6900-ACA-BA - Universal power supply provided with 4 plug modules to allow us in multiple countries. For Use with various zurn faucets and flush valves. Must order product -CWB interface cables separately.

Recommended Max:

5 Z69XX Faucets (12, 13, 14, 15, 17, 20, 22, 30, 50)
5 ZEMS-IS
5 ZEMS

Architectural/Engineering Approval

The information contained in this document is subject to change without notice. Please contact Zurn for most up to date information.

ZURN INDUSTRIES, LLC. ♦ COMMERCIAL BRASS OPERATION ♦ 5900 ELWIN BUCHANAN DRIVE ♦ SANFORD NC 27330

Phone: 1-800-997-3876 ♦ Fax: 919-775-3541 ♦ World Wide Web: www.zurn.com

In Canada: ZURN INDUSTRIES LIMITED ♦ 7900 Goreway Drive Unit 10 ♦ Brampton, Ontario L6T5W6 ♦ Phone: 905-405-8272 Fax: 905-405-1292