



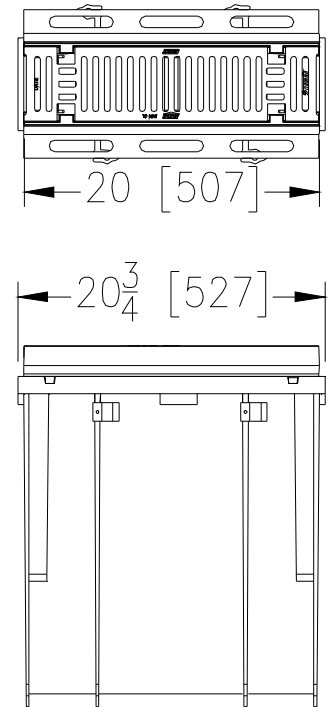
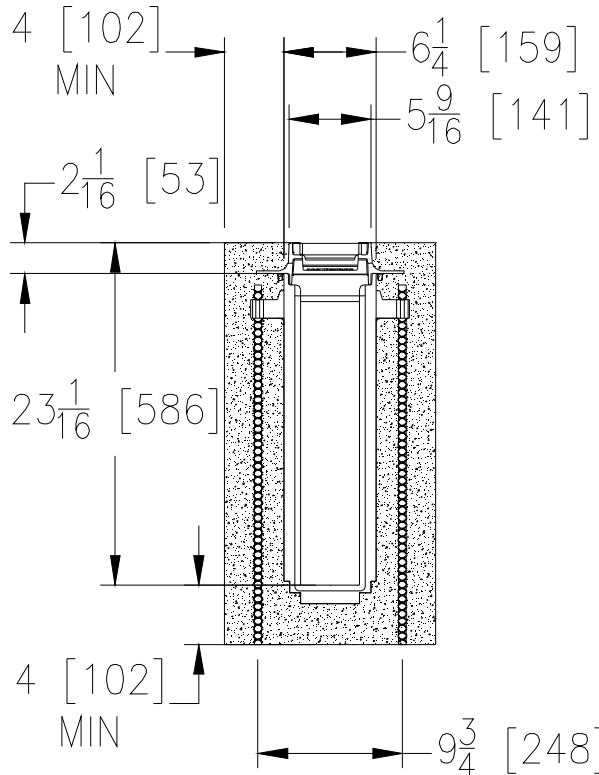
Z887-6-FGF

SPECIFICATION SHEET

5-9/16 [141] WIDE REVEAL BY 20-3/4 [527] LONG CATCH BASIN WITH DUCTILE IRON FRAME AND SLOTTED GRATE

TAG _____

Dimensional Data (inches and [mm]) are Subject to Manufacturing Tolerances and Change Without Notice



NOTE: + Actual Channel length is 20 3/4 [527].

SPECIFYING ENGINEER IS RESPONSIBLE FOR CONCRETE ENCASEMENT AND REINFORCING BASED UPON APPLICATION AND LOCAL CODES

ENGINEERING SPECIFICATION: Zurn Z887-6-FGF Catch Basin shall be 6-1/4 [159] long, 20 [508] wide reveal and 20 [508] deep. The body shall be made of 0% water absorbent High Density Polyethylene (HDPE). Shall mechanically lock into the concrete surround a minimum of every 10 [254]. Catch basin shall weigh less than 17 bs.[7.7kg] per linear foot. Catch basin shall have rebar clips standard to secure basin in its final location. Shall be provided with standard FGF grates that lock into the concrete surround during installation and is intended for extreme dynamic traffic loadings. Zurn 4-3/4 [121] wide reveal Fram and Grate class F Ductile Iron slotted grate conforming to ASTM specification A536-84, Grade 80-55-06. The un-coated ductile iron grate is rated class F per the DIN EN1433 top load classifications. Supplied in 20 [508] nominal lengths with 3/4 [19] wide slots, and 2-1/2 [64] bearing depth. Grate has an open area of 26.14 sq. in per ft. [55,344 sq. mm per meter].

PREFIX OPTIONS (Check/specify appropriate options)

___ Z 6-inch by 20-inch High Density Polyethylene (HDPE)*

SUFFIX OPTIONS (Check/specify appropriate options)

Outlet Adapters Add/Each

- ___ -E3 3 [76] No-Hub End Outlet
- ___ -E4 4 [102] No-Hub End Outlet
- ___ -E6 6 [152] No-Hub End Outlet
- ___ -U3 3 [76] No-Hub Bottom Outlet
- ___ -U4 4 [102] No-Hub Bottom Outlet
- ___ -U6 6 [152] No-Hub Bottom Outlet

Grate Options (Load Classifications are per DIN EN1433)

- ___ -FGF Ductile Iron frame and Slotted Grate- Class F *
- ___ -GFG Galvanized Ductile Iron frame and Slotted Grate- Class F

MADE in the U.S.A. (Load Classifications are per DIN EN1433)

- ___ -FGF-USA Ductile Iron frame and Slotted Grate- Class F
- ___ -GFG-USA Galvanized Ductile Iron frame and Slotted Grate- Class F

Miscellaneous Options

- ___ -IA Inlet Adapter -Z886

*REGULARLY FURNISHED UNLESS OTHERWISE SPECIFIED

REV.	DATE: 8/31/10	C.N. NO. 111641
DWG. NO. 302154	PRODUCT NO. Z887-6-FGF	