



# Z723-HDS

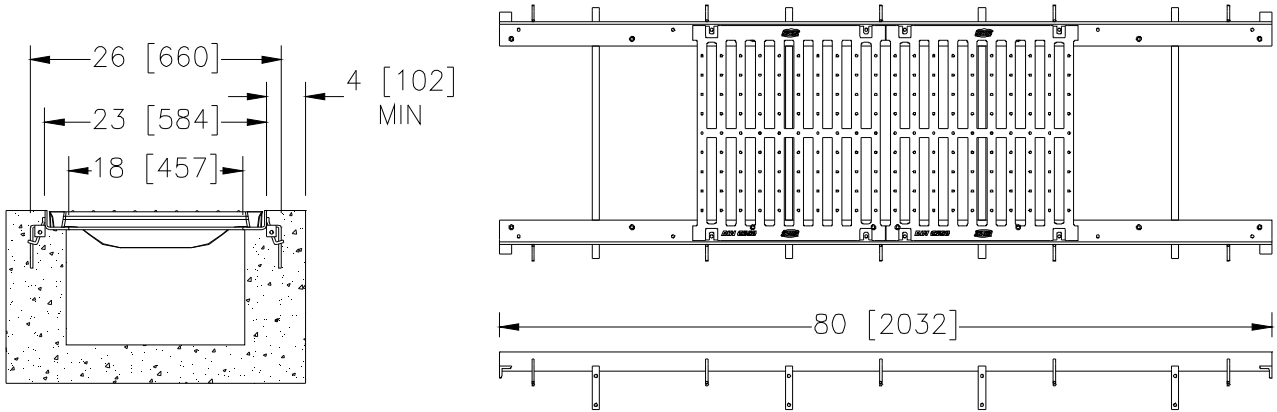
SPECIFICATION SHEET

## 23 [584] WIDE REVEAL FRAME AND GRATE SYSTEM WITH STAINLESS STEEL FRAME

TAG \_\_\_\_\_

Dimensional Data (inches and [ mm ]) are Subject to Manufacturing Tolerances and Change Without Notice

SPECIFYING ENGINEER IS RESPONSIBLE FOR CONCRETE ENCASEMENT AND REINFORCING BASED UPON APPLICATION AND LOCAL CODES



**ENGINEERING SPECIFICATION:** Zurn 723-HDS Frame and Grate System shall be 80 [2032] long, 23 [584] wide reveal and have a 18 [457] clear opening. Shall come with clips attached to the frame to accommodate vertical re-bar for positioning and anchoring purposes. Shall mechanically lock into the concrete surround every 10 [254]. Shall be provided with the standard DGC grate, Zurn 23 [584] wide reveal Ductile Iron Slotted Grate, which locks down to the frame with 4 contiguous bolt anchors per grate. Ductile Iron conforms to ASTM specification A536-84, Grade 80-55-06. Ductile Iron grate is rated class C per the DIN EN1433 top load classifications. Supplied in 20 [508] nominal lengths with 1-1/32 [26] wide slots, and 1-3/4 [44] bearing depth. Grate has an open area of 112 sq. in. pr ft. [237078 sq. mm per meter]. The 1/4 [6] thick Carbon Steel Frame Assembly conforms to ASTM specification A36 with 10 - 4 [102] long concrete anchors per 80 [2032]. Frame supplied with an E-coated finish with 3000hr salt spray testing per ASTM B-117. All welds must be performed by a certified welder per ASTM standard AWS D1.1. Frames shall be produced in the USA.

**PREFIX OPTIONS (Check/specify appropriate options)**

\_\_\_ Z Six-foot, Eight-inch Heavy Duty Stainless Steel Frame \*

**SUFFIX OPTIONS (Check/specify appropriate options)**

**Grate Options (Load Classifications are per DIN EN1433)**

- \_\_\_ -DC Ductile Iron Solid Cover - Class C
- \_\_\_ -DCF Ductile Iron Solid Cover - Class F
- \_\_\_ -DGC Ductile Iron Slotted Grate - Class C \*
- \_\_\_ -DGF Ductile Iron Slotted Grate - Class F
- \_\_\_ -GG Fiberglass Grate - Class A
- \_\_\_ -HPD Heel-Proof Ductile Slotted Grate - Class C

**Miscellaneous Options**

- \_\_\_ -RC Rebar Clip (Set of 2)
- \_\_\_ -VP Vandal-Proof Lockdown

**MADE in the U.S.A.**

\_\_\_ -DGE-USA Ductile Iron Slotted Grate - Class E

REV.	DATE: 4/12/11	C.N. NO. 120247
DWG. NO. 303259	PRODUCT NO. Z723-HDS	

\*REGULARLY FURNISHED UNLESS OTHERWISE SPECIFIED