



Z726-HDS

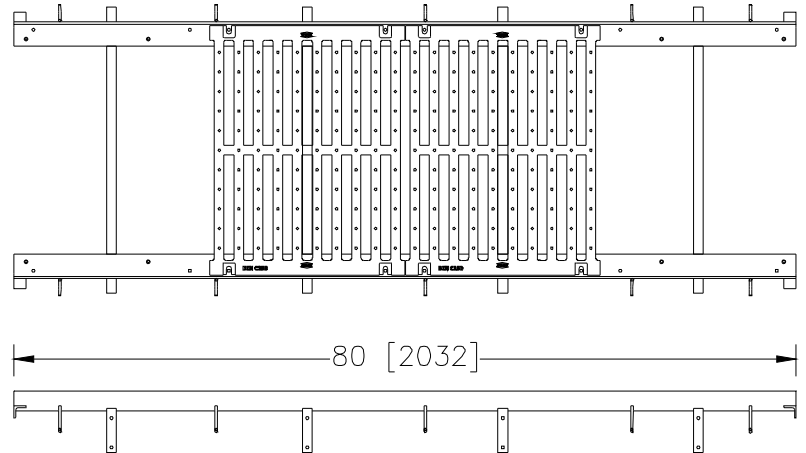
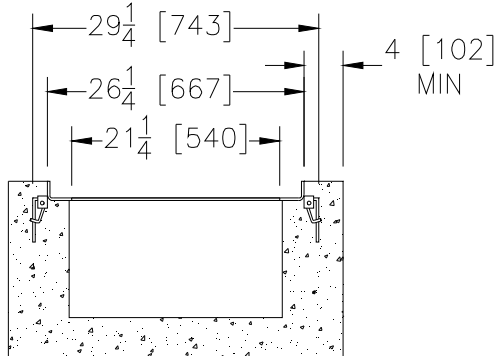
SPECIFICATION SHEET

26-1/4 [667] WIDE REVEAL FRAME AND GRATE SYSTEM WITH STAINLESS STEEL FRAME

TAG _____

Dimensional Data (inches and [mm]) are Subject to Manufacturing Tolerances and Change Without Notice

SPECIFYING ENGINEER IS RESPONSIBLE FOR CONCRETE ENCASEMENT AND REINFORCING BASED UPON APPLICATION AND LOCAL CODES



ENGINEERING SPECIFICATION: Zurn 723-HDS Frame and Grate System shall be 80 [2032] long, 26-1/4 [667] wide reveal and have a 21 [533] clear opening. Shall come with clips attached to the frame to accommodate vertical re-bar for positioning and anchoring purposes. Shall mechanically lock into the concrete surround every 10 [254]. Shall be provided with the standard DGC grate, Zurn 23 [584] wide reveal Ductile Iron Slotted Grate, which locks down to the frame with 4 contiguous bolt anchors per grate. Ductile Iron conforms to ASTM specification A536-84, Grade 80-55-06. Ductile Iron grate is rated class C per the DIN EN1433 top load classifications. Supplied in 20[508] nominal lengths with 1-1/32 [26] wide slots, and 1-3/4 [44] bearing depth. Grate has an open area of 112 sq. in. pr ft. [237078 sq. mm per meter]. The 1/4 [6] thick Carbon Steel Frame Assembly conforms to ASTM specification A36 with 10 - 4 [102] long concrete anchors per 80 [2032]. Frame supplied with an E-coated finish with 3000hr salt spray testing per ASTM B-117. All welds must be performed by a certified welder per ASTM standard AWS D1.1. Frames shall be produced in the USA.

PREFIX OPTIONS (Check/specify appropriate options)

Z Six-foot, Eight-inch Heavy Duty Stainless Steel Frame *

SUFFIX OPTIONS (Check/specify appropriate options)

Grate Options (Load Classifications are per DIN EN1433)

- DC Ductile Iron Solid Cover - Class C
- DCF Ductile Iron Solid Cover - Class F
- DGC Ductile Iron Slotted Grate - Class C *
- DGF Ductile Iron Slotted Grate - Class F
- GG Fiberglass Grate - Class A
- HPD Heel-Proof Ductile Slotted Grate - Class C

Miscellaneous Options

- RC Rebar Clip (Set of 2)
- VP Vandal-Proof Lockdown

MADE in the U.S.A.

-DGE-USA Ductile Iron Slotted Grate - Class E

REV.	DATE: 4/12/11	C.N. NO. 120256
DWG. NO. 303265	PRODUCT NO. Z726-HDS	

*REGULARLY FURNISHED UNLESS OTHERWISE SPECIFIED

ZURN INDUSTRIES, LLC ♦ SPECIFICATION DRAINAGE OPERATION ♦ 1801 Pittsburgh Ave. ♦ Erie, PA 16514

Phone: 814/455-0921 ♦ Fax: 814/454-7929 ♦ World Wide Web: www.zurn.com

In Canada: ZURN INDUSTRIES LIMITED ♦ 3544 Nashua Drive ♦ Mississauga, Ontario L4V1L2 ♦ Phone: 905/405-8272 Fax: 905/405-1292