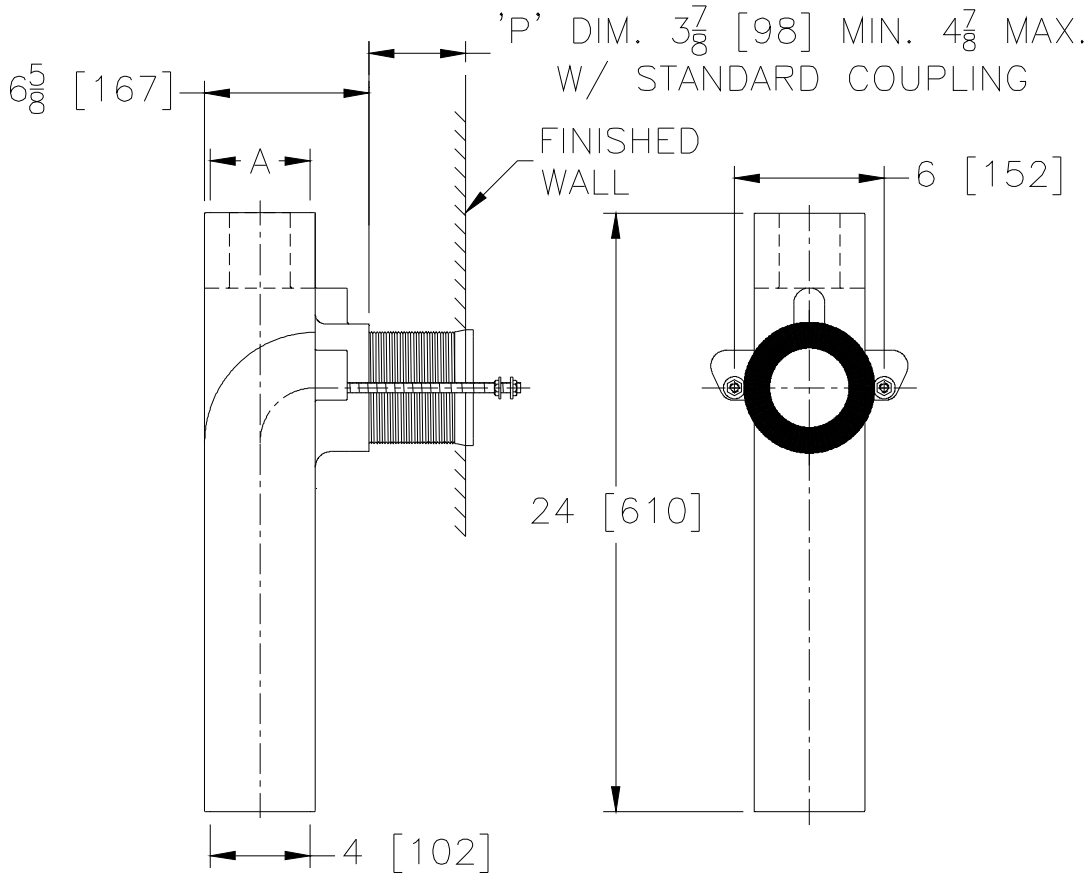




Z1213

4 [102] VERTICAL SIPHON JET WATER CLOSET SUPPORT SYSTEM W/ 2 [51] OR 4 [102] TOP VENT CLOSET FITTING ONLY (NO SUPPORT) TAG _____

Dimensional Data (inches and [mm]) are Subject to Manufacturing Tolerances and Change Without Notice



A Vent In [mm]	Product No.	Approx. Wt. Lbs. [kg]
2 [51]	Z1213-N42	19 [9]
4 [102]	Z1213-N44	19 [9]

ENGINEERING SPECIFICATION: ZURNZ1213

Vertical siphon jet water closet "Rigid System" with 4" [102mm] No-Hub connection and 2" [51mm] or 4" [102mm] (Specify) top vent connection. Complete with Dura-Coated cast iron main fitting, corrosion resistant adjustable ABS coupling with integral test cap and bolt kit, with bonded "Neo-Seal" gasket, for floor mounted back outlet water closet. Standard fixture support is not required.

PRODUCT/DEFINITION

- ___ Z1213-N42 4 [102] No-Hub, 2 [51] No-Hub Vent
- ___ Z1213-N44 4 [102] No-Hub, 4 [102] No-Hub Vent

PREFIXES

- ___ Z D.C.C.I. System with Zurn "ZZ" Adjustable Coupling *

SUFFIXES

- ___ -CC Corrosion Resistant C.I. Coupling (6 [152] to 12 [305] Long)
- ___ -CL Coupling Length Greater than 12 [305] (Specify Length Required)

Note:

1. Min. 'P' Dim. Obtainable = 1-1/4 [32]

* Regularly furnished unless otherwise specified.