



# SERVICE SINK FAUCET Z841H2-XL

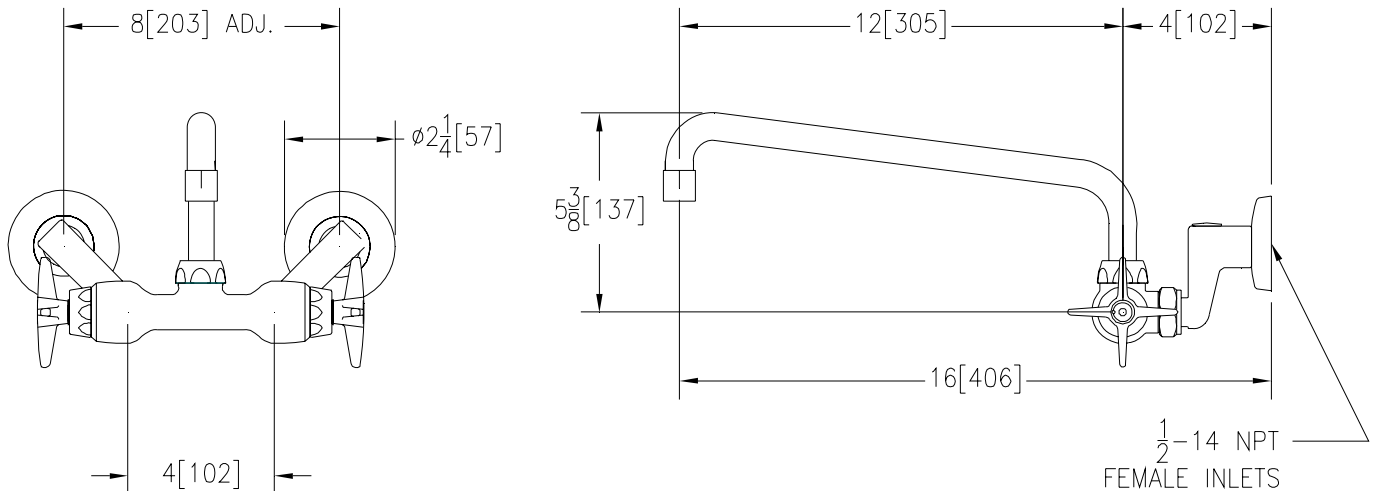
TAG \_\_\_\_\_

## Engineering Specifications: Zurn AquaSpec® Z841H2-XL

Polished chrome-plated cast brass service sink faucet with quarter turn ceramic disc cartridges, 2-1/2" [64mm] long swivel inlets (with integral stops) providing adjustable centers from 4" [102mm] to 8-3/8" [213mm] and a 12" [305mm] tubular brass swing spout with a 2.2 GPM [8.3 L] pressure compensating aerator (complying with ANSI A112.18.1 Standard for flow). Unit is provided with vandal-resistant color-coded metal four arm handles.



Zurn Lead Compliant\* "XL" products are a line of durable, high quality brass faucets and fixtures that are designed and manufactured to comply with state laws and local codes that mandate lead content levels. Zurn "XL" products are manufactured with \*not more than 0.25% lead content when used with respect to wetted surfaces of pipes and pipe fittings, plumbing fitting and fixtures: California Health & Safety Code § 116875; Vermont 9 VCA § 2470h



Note: All dimensions are for reference only. Do not use for pre-plumbing

### OPTIONAL ACCESSORIES

| Suffix   | Description   |
|----------|---|
| ___ -HCT | Hot/Cold Text Indexes   |
| ___ -SSI | 3/8" [10mm] Short Swivel Inlets   |
| ___ -2F  | 2.2 GPM [8.3 L] Vandal-Resistant Pressure Compensating Female Aerator             |
| ___ -3F  | 0.5 GPM [1.9 L] Vandal-Resistant Pressure Compensating Female Spray Outlet        |
| ___ -4F  | 2.2 GPM [8.3 L] Vandal-Resistant Pressure Compensating Female Laminar Flow Outlet |
| ___ -7F  | 1.0 GPM [3.8L] Pressure Compensating Female Spray Outlet                          |
| ___ -15F | Female Full Flow Outlet   |
| ___ -16F | 1.0 GPM [3.8L] Vandal-Resistant Pressure Compensating Female Spray Outlet         |
| ___ -17F | 1.5 GPM [5.7L] Vandal-Resistant Pressure Compensating Female Aerator              |
| ___ -18F | 1.5 GPM [5.7L] Vandal-Resistant Pressure Compensating Female Laminar Flow Outlet  |
| ___ -19F | 1.5 GPM [5.7 L] Anti-Microbial Pressure Compensating Female Laminar Flow Outlet   |
| ___ -21F | 1.0 GPM [3.8L] Pressure Compensating Female Laminar Flow Outlet                   |
| ___ -22F | 1.0 GPM [3.8L] Pressure Compensating Vandal-Resistant Female Laminar Flow Outlet  |
| ___ -23F | 1.5 GPM [5.7L] Pressure Compensating Female Aerator                               |

ZURN INDUSTRIES, LLC ♦ COMMERCIAL BRASS OPERATION ♦ 2640 SOUTH WORK STREET ♦ FALCONER NY 14733

Phone: 1-800-997-3876 ♦ Fax: 1-919-775-3541 ♦ www.zurn.com

In Canada: ZURN INDUSTRIES LIMITED ♦ 3544 Nashua Drive ♦ Mississauga, Ontario L4V1L2 ♦ Phone: 905/405-8272 Fax: 905/405-1292