



ZFV817-12

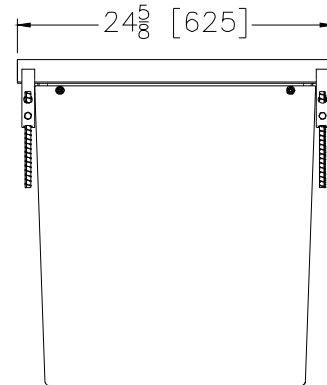
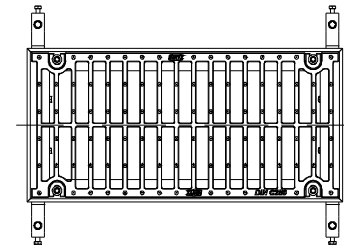
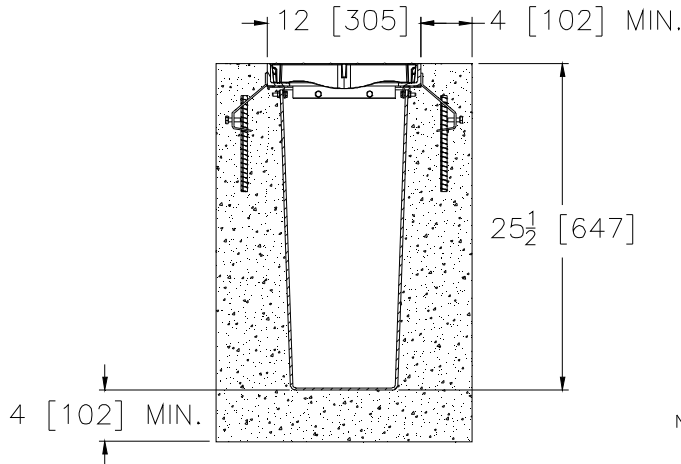
SPECIFICATION SHEET

12 [305] x 24 [610] LONG REVEAL FIBER REINFORCED VINYLESTER CATCH BASIN

TAG _____

Dimensional Data (inches and [mm]) are Subject to Manufacturing Tolerances and Change Without Notice

SPECIFYING ENGINEER IS RESPONSIBLE FOR CONCRETE ENCASEMENT AND REINFORCING BASED UPON APPLICATION AND LOCAL CODES.



NOTE: +Actual Frame length is 24 5/8 [625].

ENGINEERING SPECIFICATION: Zurn ZFV817-12

Catch Basin shall be 12 [305] wide, 24-5/8 [625] long reveal and 25-1/2 [647] deep. The body shall be made of 0% water absorbent Fiber Reinforced Vinylester. Basin shall weigh less than 14.6 lbs. [6.6 kg] per linear foot. Shall be provided with standard DGC grate. Zurn 12 [305] wide reveal Ductile Iron Slotted Grate conforming to ASTM specification A536, Grade 80-55-06. Ductile Iron grate is rated class C per the DIN EN1433 top load classifications. Supplied in 24 [608] nominal lengths with 13/16 [21] wide slots, and 1-1/2 [38] bearing depth. Grate has an open area of 81.1 sq. in per ft. [171,618 sq. mm per meter]. The #7 gage thick Heavy-Duty Frame Assembly conforms to ASTM specification A36. Frame shall mechanically lock into concrete surround at a maximum spacing of 23 [584] with four rebar attachment brackets as standard to secure the basin in it's final location. The frame is supplied with a powder coated finish. All welds must be performed by a certified welder per ASTM standard AWS D1.1. Basin has a 94-5VA flammability rating per ASTM D5048 and a V-0 flammability rating per ASTM D3801. Frame and basin shall be produced in the U.S.A.

PREFIX OPTIONS (Check/specify appropriate options)

___ ZFV 12-inch by 24-inch Fiber Reinforced Vinylester*

SUFFIX OPTIONS (Check/specify appropriate options)

Outlet Adapters Add/Each

___ -E4	4 [102] No-Hub End Outlet	___ -U4	4 [102] No-Hub Bottom Outlet
___ -E6	6 [152] No-Hub End Outlet	___ -U6	6 [152] No-Hub Bottom Outlet
___ -E8	8 [204] No-Hub End Outlet	___ -U8	8 [204] No-Hub Bottom Outlet

Grate Options (Load Classifications are per DIN EN1433)

___ -BDC	Black Acid Resistant Epoxy Coated Ductile Grate - Class C
___ -BDE	Black Acid Resistant Epoxy Coated Ductile Grate - Class E
___ -BG	Galvanized Ductile Iron Bar Grate - Class D
___ -DC	Ductile Iron Solid Cover - Class C
___ -DGC	Ductile Iron Slotted Grate - Class C*
___ -DGE	Ductile Iron Slotted Grate - Class E
___ -DGF	Ductile Iron Slotted Grate - Class F
___ -GDC	Galvanized Ductile Slotted Grate - Class C
___ -GDE	Galvanized Ductile Slotted Grate - Class E
___ -GDF	Galvanized Ductile Slotted Grate - Class F
___ -GHPD	Galvanized Heel-Proof Ductile Grate - Class C
___ -GHPDE	Galvanized Heel-Proof Ductile Slotted Grate - Class E
___ -HPD	Heel-Proof Ductile Slotted Grate - Class C
___ -HPDE	Heel-Proof Ductile Slotted Grate - Class E

Miscellaneous Options

___ -IA	Inlet Adapter - Z806
___ -IA	Inlet Adapter - Z812

MADE in the U.S.A. (Load Classifications are per DIN EN1433)

___ -ADA-USA	Meets Americans with Disabilities Act Requirements - Class C
___ -DGC-USA	Ductile Iron Slotted Grate - Class C
___ -DGE-USA	Ductile Iron Slotted Grate - Class E
___ -FG	Fabricated Galvanized Steel Slotted Grate - Class A
___ -FS	Fabricated Stainless Steel Slotted Grate - Class A
___ -GADA-USA	Galvanized Ductile ADA Slotted Grate - Class C
___ -GDC-USA	Galvanized Ductile Slotted Grate - Class C
___ -GDE-USA	Galvanized Ductile Slotted Grate - Class E
___ -PG	Perforated Galvanized Steel Grate - Class A
___ -PS	Perforated Stainless Steel Grate - Class A
___ -SBG-L	Stainless Steel Bar Grate - Class B

Miscellaneous Options

___ -DB	Bottom Dome Strainer
___ -FT	Foul Air Trap
___ -VP	Vandal-Proof Lockdown
___ -Y	Sediment Bucket

REV. B DATE: 12/01/11 C.N. NO. 122496

DWG. NO. 307179

PRODUCT NO. ZFV817-12

*REGULARLY FURNISHED UNLESS OTHERWISE SPECIFIED

ZURN INDUSTRIES, LLC ♦ SPECIFICATION DRAINAGE OPERATION ♦ 1801 Pittsburgh Ave. ♦ Erie, PA 16514

Phone: 814455-0921 ♦ Fax: 814454-7929 ♦ World Wide Web: www.zurn.com

In Canada: ZURN INDUSTRIES LIMITED ♦ 3544 Nashua Drive ♦ Mississauga, Ontario L4V1L2 ♦ Phone: 905405-8272 Fax: 905405-1292