



Z5558-K

TAG _____

1.6 gpf ADA Elongated, Siphon Jet
Two-Piece Toilet



Z5558-K Series

- 1.6 Gallons per Flush
- Vitreous china
- Elongated front rim
- 2-1/8" fully glazed trapway
- Siphon jet action elongated ADA bowl
- Chrome plated metal handle
- Includes bolt caps
- Water surface 9" x 11"
- Shipping Weight: 87lbs
- Maximum performance (Map) score of 1000g



Z5558-K Series

Suffix Options:

- IN** Insulated tank
- RH** Vitreous China right-hand lever tank
- VL** Vitreous China lid with vandal-proof lockdown

Recommended Trim:

- Z5958SS-EL** Elongated, white, closed front toilet seat with cover & stainless steel check hinge.
- Z5972-COMB** Closet bolt & wax ring kit.
- Z8800-CR** Standard stop with flexible closet riser.

Optional Trim

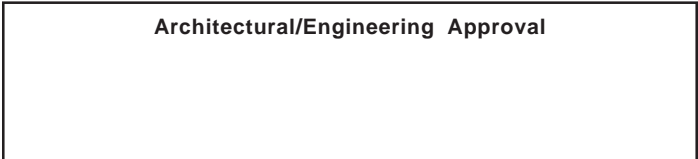
- Z5975-FLO-JR**
PVC Flo-Bowl Jr. closet flange kit

Engineering Specification:

- Z5558-K** Vitreous china, 1.6 gpf [6 Lpf], low consumption, elongated, siphon jet action, 17" rim height ADA compliant floor mounted toilet with 12" rough-in.

Note: Call for availability of multiple suffix options.

See Zurn One Systems for suggested packages.



Meets the American Disabilities Guidelines and ANSI A117.1 requirements when installed according to these requirements.

Fixture dimensions meet ANSI/ASME standard A112.19.2 and CAN/CSA B45 requirements.

In Canada - Consult local codes and standards.

The information contained in this document is subject to change without notice. Please contact Zurn for most up to date information.





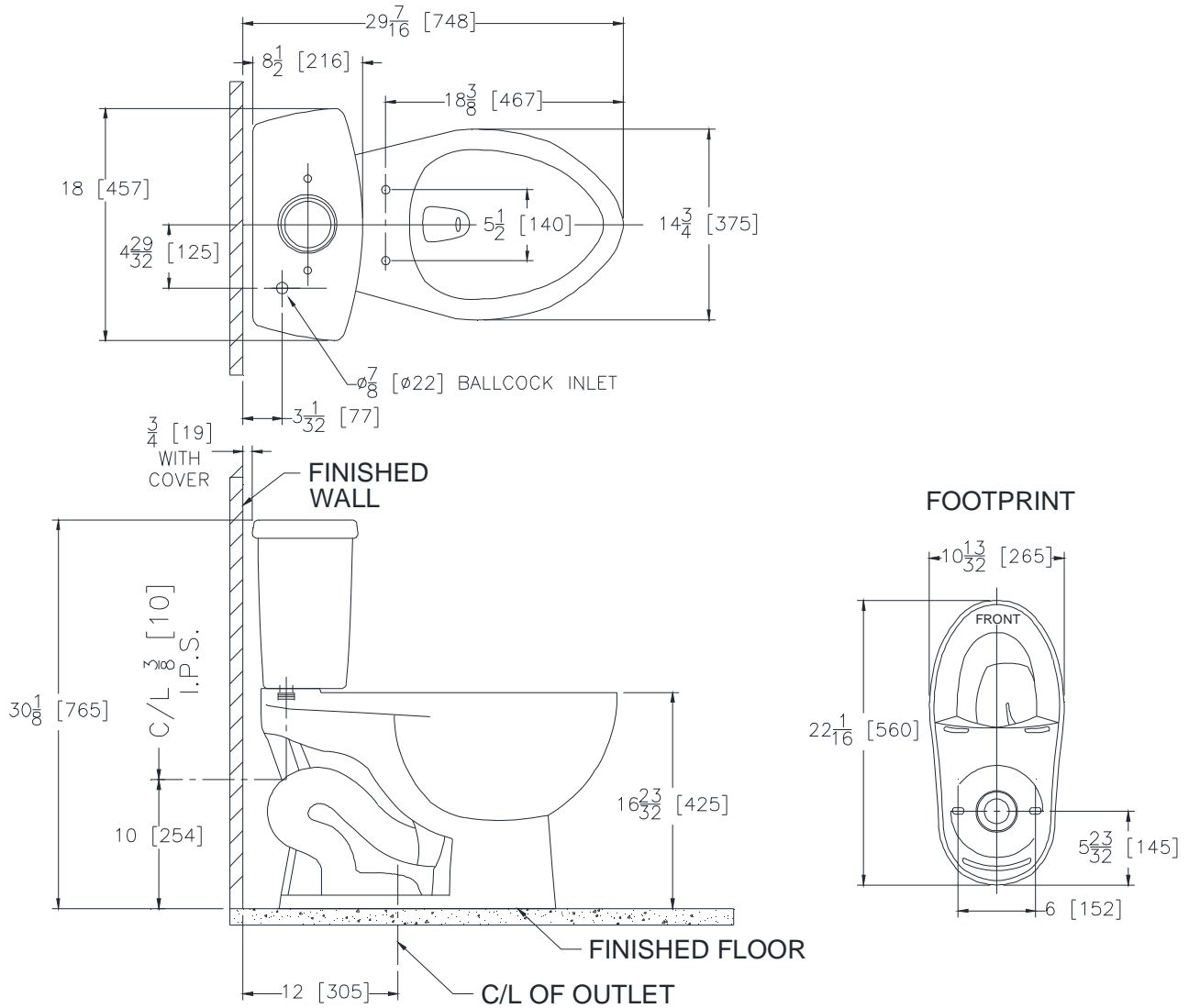
Z5558-K

TAG _____

1.6 gpf ADA Elongated, Siphon Jet
Two-Piece Toilet

Rough-in Dimensions for Z5558-K Series

- Z5558-K elongated toilet with 12" rough-in



Meets the American Disabilities Guidelines and ANSI A117.1 requirements when installed according to these requirements.

Fixture dimensions meet ANSI/ASME standard A112.19.2 and CAN/CSA B45 requirements.

In Canada - Consult local codes and standards.

