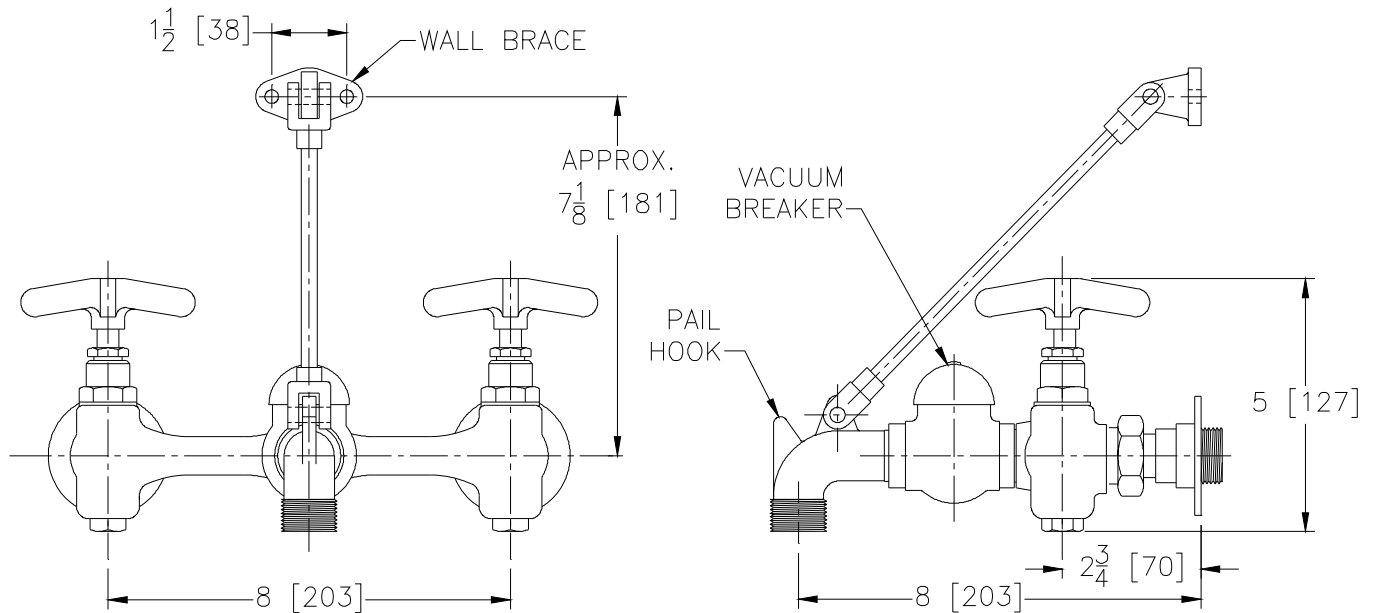


Dimensional Data (inches and [mm]) are Subject to Manufacturing Tolerances and Change Without Notice



ENGINEERING SPECIFICATION: Z1996-SF

Service Sink Faucet - Chrome plated service faucet, complete with vacuum breaker, integral stops, adjustable wall brace, pail hook, four-arm hot and cold handles and $\frac{3}{4}$ [19] hose thread on spout. Water inlets are for $\frac{1}{2}$ [13] pipe and are eccentric on an 8 [203] centerline.

NOTE:

CONFORMS TO: ASME A112.18.1-2005/CSA B125.1-2005