



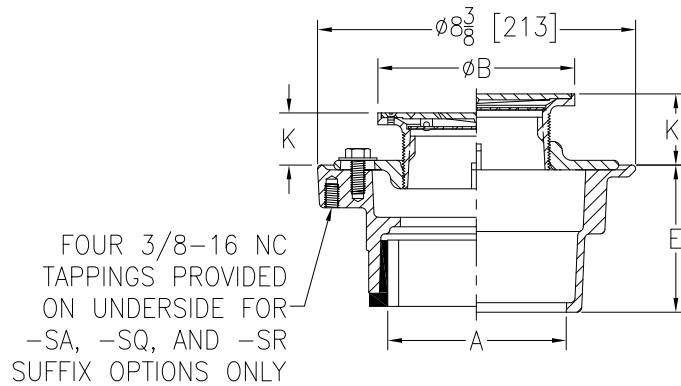
# Z415D

## BODY ASSEMBLY W/ "TYPE D" STRAINER

SPECIFICATION SHEET

TAG \_\_\_\_\_

Design and Dimensional Data (inches and [ mm ]) are Subject to Manufacturing Tolerances and Change Without Notice



Dimension in Inches [mm]						Approx. Wt. Lbs. [kg]
A - Pipe Size	B Strainer Dia.	K		K'		
		Min.	Max.	Min.	Max.	
2,3 [51,76]	5 [127]	1 [25]	1-1/2 [38]	1-3/32 [28]	2-1/4 [57]	12 [5]
2,3,4 [51,76,102]	6 [152]	1 [25]	1-25/32 [45]	1-13/32 [36]	2-17/32 [64]	14 [6]
2,3,4 [51,76,102]	7 [178]	1 [25]	2-1/8 [54]	1-23/32 [44]	2-7/8 [73]	15 [7]
3,4 [76,102]	8 [203]	1-5/32 [29]	2-1/8 [54]	1-3/4 [44]	2-7/8 [73]	17 [8]
6 [152]	8 [203]	1-5/32 [29]	2-1/8 [54]	1-3/4 [44]	2-7/8 [73]	19 [9]

### ENGINEERING SPECIFICATION: ZURN ZN415D

Floor and shower drain, Dura-Coated cast iron body with bottom outlet, combination invertible membrane clamp and adjustable collar with seepage slots and "TYPE D" polished, hinged solid, nickel bronze, light-duty strainer.

### OPTIONS (Check/specify appropriate options)

PIPE SIZE	(Specify size/type)	OUTLET	'E' BODY HT. DIM.
2,3,4 [51,76,102]	___ IC	Inside Caulk	4-3/16 [106]
2 [51]	___ IP	Threaded	2-7/16 [62]
3 [76]	___ IP	Threaded	2-3/4 [70]
4 [102]	___ IP	Threaded	2-13/16 [71]
6 [152]	___ IP	Threaded	2-7/8 [73]
2,3,4 [51,76,102]	___ NH	No-Hub	3-13/16 [97]
2,3,4 [51,76,102]	___ NL	Neo-Loc	3-7/8 [98]

### PREFIXES

- \_\_\_ ZB D.C.C.I. Body Assembly w/ Polished Bronze Top
- \_\_\_ ZN D.C.C.I. Body Assembly w/ Polished Nickel Bronze Top\*

### SUFFIXES

- \_\_\_ -AR Acid Resisting Epoxy Coated Cast Iron
- \_\_\_ -G Galvanized Cast Iron
- \_\_\_ -P Trap Primer Connection (Specify 1/2 [13] or 3/4 [19])
- \_\_\_ -PC Protective Cover
- \_\_\_ -SA Stabilizer Assembly (See Z1035)
- \_\_\_ -SQ Stabilizer Q-Deck (See Z1035-Q)
- \_\_\_ -SR Stabilizer Ring
- \_\_\_ -TC Neo-loc Test Cap Gasket (2,3,4 [51,76,102] NL Bottom Outlet Only)
- \_\_\_ -U 1-3 [25-76] High Extension Adapter
- \_\_\_ -V Backwater Valve
- \_\_\_ -VP Vandal-Proof Secured Top
- \_\_\_ -Y Sediment Bucket
- \_\_\_ -90 90° Threaded Side Outlet Body Assembly (2,3 [51,76] Only)

\* Regularly furnished unless otherwise specified.

**⚠ WARNING:** Cancer and Reproductive Harm - [www.P65Warnings.ca.gov](http://www.P65Warnings.ca.gov)

**⚠ ADVERTENCIA:** Cáncer y daño reproductivo - [www.P65Warnings.ca.gov](http://www.P65Warnings.ca.gov)

**⚠ AVERTISSEMENT:** Cancer et effets néfastes sur la reproduction - [www.P65Warnings.ca.gov](http://www.P65Warnings.ca.gov)

Zurn Industries, LLC | Specification Drainage Operation  
1801 Pittsburgh Avenue, Erie, PA USA 16502, Ph. 855.663.9876

In Canada | Zurn Industries Limited  
7900 Goreway Drive, Unit 10, Brampton, Ontario L6T 5W6, Ph. 877.892.5216

[www.zurn.com](http://www.zurn.com)

Rev. R  
Date: 01/05/23  
C.N. No. 144898  
Patent [zurn.com/patents](http://zurn.com/patents)  
Prod. | Dwg. No. Z415D