



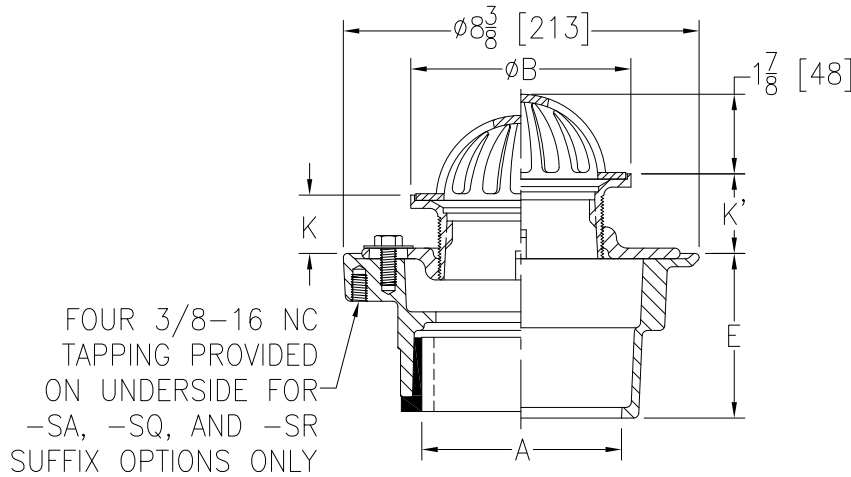
# Z415G

## BODY ASSEMBLY W/ "TYPE G" STRAINER

SPECIFICATION SHEET

TAG \_\_\_\_\_

Design and Dimensional Data (inches and [ mm ]) are Subject to Manufacturing Tolerances and Change Without Notice



| A - Pipe Size     | B Strainer Dia. | Dimension in Inches [mm] |              |              |              | Approx. Wt. Lbs. [kg] | Strainer Open Area Sq. In. [cm <sup>2</sup> ] |
|-------------------|-----------------|--------------------------|--------------|--------------|--------------|-----------------------|---|
|                   |                 | K                        |              | K'           |              |                       |   |
|                   |                 | Min.                     | Max.         | Min.         | Max.         |                       |   |
| 2,3 [51,76]       | 5 [127]         | 1 [25]                   | 1-1/2 [38]   | 1-3/32 [28]  | 2-1/4 [57]   | 11 [5]                | 10 [65]                                       |
| 2,3,4 [51,76,102] | 6 [152]         | 1 [25]                   | 1-25/32 [45] | 1-13/32 [36] | 2-17/32 [64] | 13 [6]                | 12 [77]                                       |

### ENGINEERING SPECIFICATION: ZURN ZN415G

Floor and shower drain, Dura-Coated cast iron body with bottom outlet, combination invertible membrane clamp and adjustable collar with seepage slots and "TYPE G" polished nickel bronze strainer with dome grate.

### OPTIONS (Check/specify appropriate options)

| PIPE SIZE         | (Specify size/type) | OUTLET       | 'E' BODY HT. DIM. |
|-------------------|---------------------|--------------|-------------------|
| 2,3,4 [51,76,102] | ___ IC              | Inside Caulk | 4-3/16 [106]      |
| 2 [51]            | ___ IP              | Threaded     | 2-7/16 [62]       |
| 3 [76]            | ___ IP              | Threaded     | 2-3/4 [70]        |
| 4 [102]           | ___ IP              | Threaded     | 2-13/16 [71]      |
| 2,3,4 [51,76,102] | ___ NH              | No-Hub       | 3-13/16 [97]      |
| 2,3,4 [51,76,102] | ___ NL              | Neo-Loc      | 3-7/8 [98]        |

### PREFIXES

- \_\_\_ ZB D.C.C.I. Body Assembly w/ Polished Bronze Top
- \_\_\_ ZN D.C.C.I. Body Assembly w/ Polished Nickel Bronze Top\*

### SUFFIXES

- |  |   |
|--|---|
| ___ -AR Acid Resisting Epoxy Coated Cast Iron                | ___ -TC Neo-loc Test Cap Gasket (2,3,4 [51,76,102] NL Bottom Outlet Only) |
| ___ -G Galvanized Cast Iron                                  | ___ -U 1-3 [25-76] High Extension Adapter                                 |
| ___ -P Trap Primer Connection (Specify 1/2 [13] or 3/4 [19]) | ___ -V Backwater Valve  |
| ___ -SA Stabilizer Assembly (See Z1035)                      | ___ -VP Vandal-Proof Secured Top  |
| ___ -SQ Stabilizer Q-Deck (See Z1035-Q)                      | ___ -Y Sediment Bucket  |
| ___ -SR Stabilizer Ring                                      | ___ -90 90° Threaded Side Outlet Body Assembly (2,3 [51,76] Only)         |
| ___ -SS Stainless Steel Mesh Screen Over Dome                |   |

\* Regularly furnished unless otherwise specified.

**⚠ WARNING:** Cancer and Reproductive Harm - [www.P65Warnings.ca.gov](http://www.P65Warnings.ca.gov)

**⚠ ADVERTENCIA:** Cáncer y daño reproductivo - [www.P65Warnings.ca.gov](http://www.P65Warnings.ca.gov)

**⚠ AVERTISSEMENT:** Cancer et effets néfastes sur la reproduction - [www.P65Warnings.ca.gov](http://www.P65Warnings.ca.gov)

Zurn Industries, LLC | Specification Drainage Operation  
1801 Pittsburgh Avenue, Erie, PA USA 16502, Ph. 855.663.9876

In Canada | Zurn Industries Limited  
7900 Goreway Drive, Unit 10, Brampton, Ontario L6T 5W6, Ph. 877.892.5216

[www.zurn.com](http://www.zurn.com)

Rev. N  
Date: 01/05/23  
C.N. No. 144898  
Patent [zurn.com/patents](http://zurn.com/patents)  
Prod. | Dwg. No. Z415G