

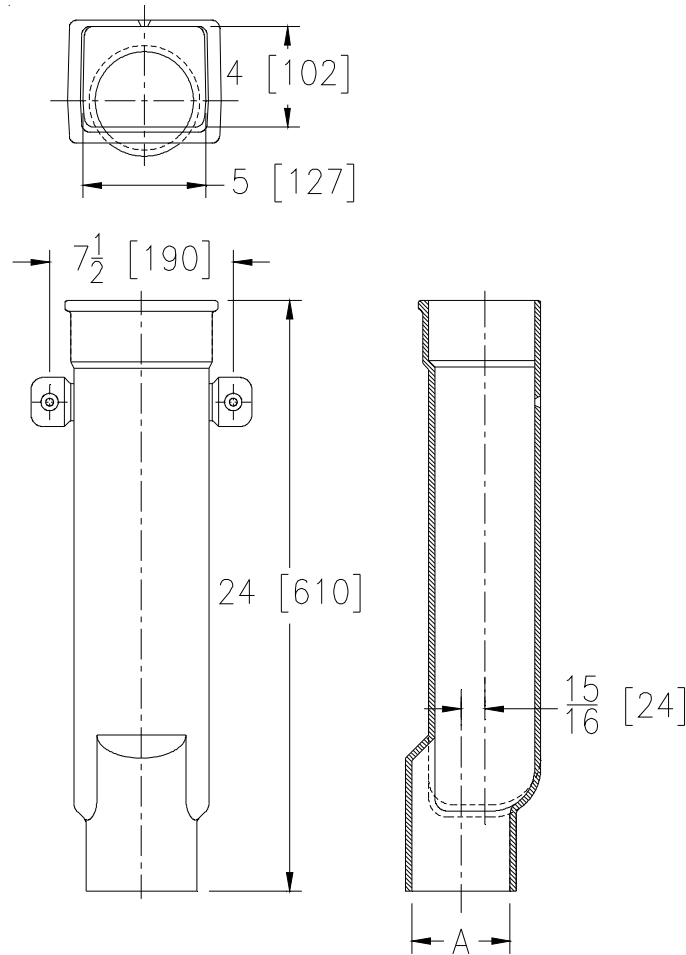


Z191
5 [127] X 4 [102] X 24 [610] DOWNSPOUT BOOT

SPECIFICATION SHEET

TAG _____

Dimensional Data (inches and [mm]) are Subject to Manufacturing Tolerances and Changes Without Notice



Product Designation	Size	A Pipe Size	Approx. Wt. Lbs. [kg]
Z191-24	5 x 4 x 24 [127 x 102 x 610]	4 [102]	30 [14]

ENGINEERING SPECIFICATION: ZURN Z191
 5 [127] X 4 [102] X 24 [610] Downspout Boot, Dura-coated cast iron body and strap with 1/4 [6] dia. cast holes for flat head bolts.

OPTIONS (Check/specify appropriate options)

PIPE SIZE

4 [102]

OUTLET

___ NH No-Hub

PREFIXES

___ Z D.C.C.I. Body*

SUFFIXES

- ___ -G Galvanized Cast Iron
- ___ -CA Cleanout Access with Plug

*REGULARLY FURNISHED UNLESS OTHERWISE SPECIFIED

REV. G	DATE: 10/21/10	C.N. NO. 111909
DWG. NO. 58834	PRODUCT NO. Z191	