

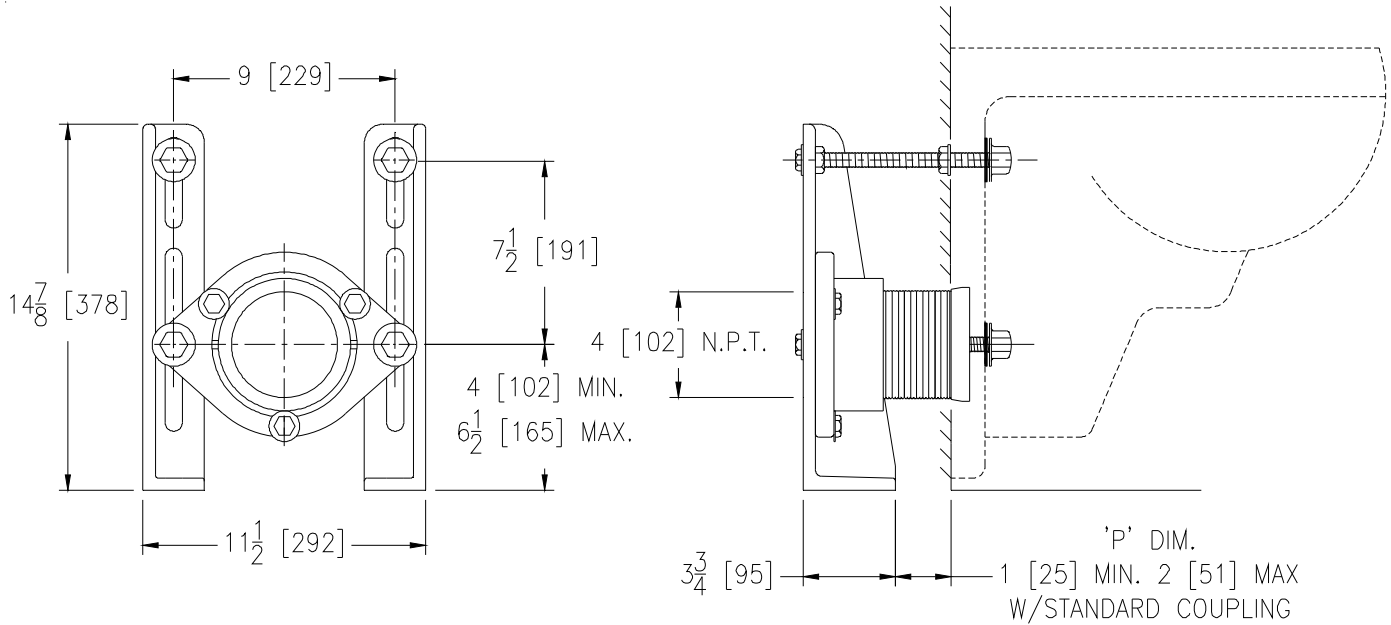


Z1212 WALL CLOSET SUPPORT SYSTEM

SPECIFICATION SHEET

TAG _____

Dimensional Data (inches and [mm]) are Subject to Manufacturing Tolerances and Change Without Notice



Product No.	Approx. Wt. Lbs. [kg]
Z1212	30 [14]

ENGINEERING SPECIFICATION: ZURN Z1212

Dura-Coated cast iron wall closet support system. Complete with adjustable faceplate rigidly mounted on reversible foot supports. ABS coupling with integral test cap, fixture bolts, trim, stud protectors and bonded "Neo-Seal" gasket.

OPTIONS (Check/specify appropriate options)

PREFIXES

___ Z D.C.C.I. System with Zurn "ZZ" Coupling Connection*

SUFFIXES

- ___ -B Adapter for Blowout Type Fixture Support
- ___ -CL Coupling Length Greater than 12 [305] (Specify length required)
- ___ -F Floor Mount, Back Outlet Fixture Support
- ___ -VP Vandal Proof Finish Trim
- ___ -X4 4 [102] Carrier Foot Extension Assembly
- ___ -45 Finishing Frame for Siphon Jet System (For Blowout System Specify -45-B)

Note: For plastic pipe installation use male thread by socket adapter
 DO NOT THREAD PLASTIC PIPE. (Per ASTM Specification #D2665X1.6.1.)
 Piping must be rigidly secured to prevent deflection (by others).

* Regularly furnished unless otherwise specified.