



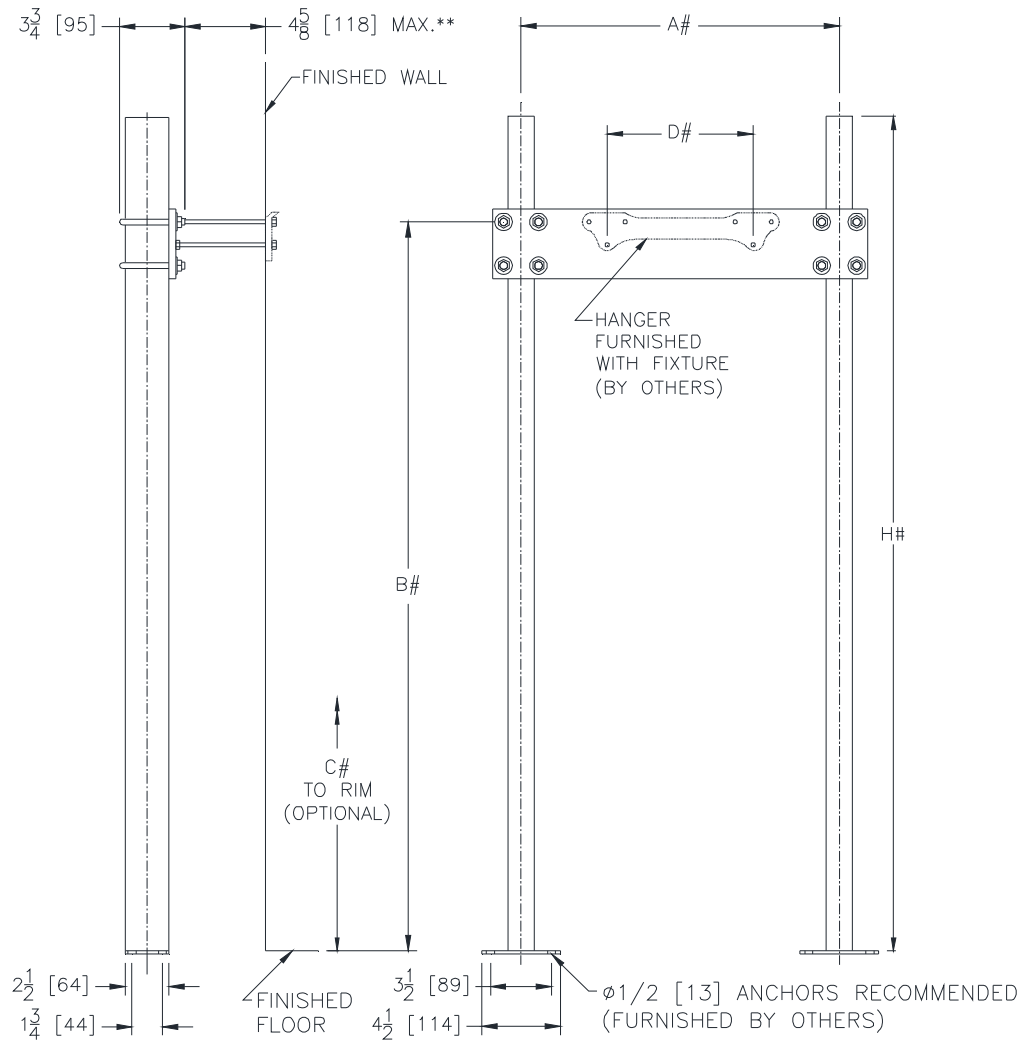
# Z1223

PLATE TYPE SYSTEM  
TROUGH URINALS

SPECIFICATION SHEET

TAG \_\_\_\_\_

Dimensional Data (inches and [ mm ]) are Subject to Manufacturing Tolerances and Change Without Notice



\*\* WITH STANDARD STUD LENGTH OF 6 [152].

# REFER TO ROUGH-IN GUIDE OF SPECIFIC FIXTURE FOR DIMENSION

Product No.	Approx. Wt. Lbs. [kg]
Z1223	33 [13]

**ENGINEERING SPECIFICATION: ZURN Z1223**

Trough urinal support system with top support plate. Complete with Dura-Coated rectangular steel uprights with welded feet, adjustable support plate, and mounting fasteners.

**OPTIONS** (Check/specify appropriate options)

**PREFIXES**

\_\_\_ Z Dura-Coated System with Support Plate\*

**SUFFIXES**

\_\_\_ -1 Longer Urinal (Specify over 5')  
\_\_\_ -2 Bearing Plate Assembly

\* Regularly furnished unless otherwise specified.