



Z1330

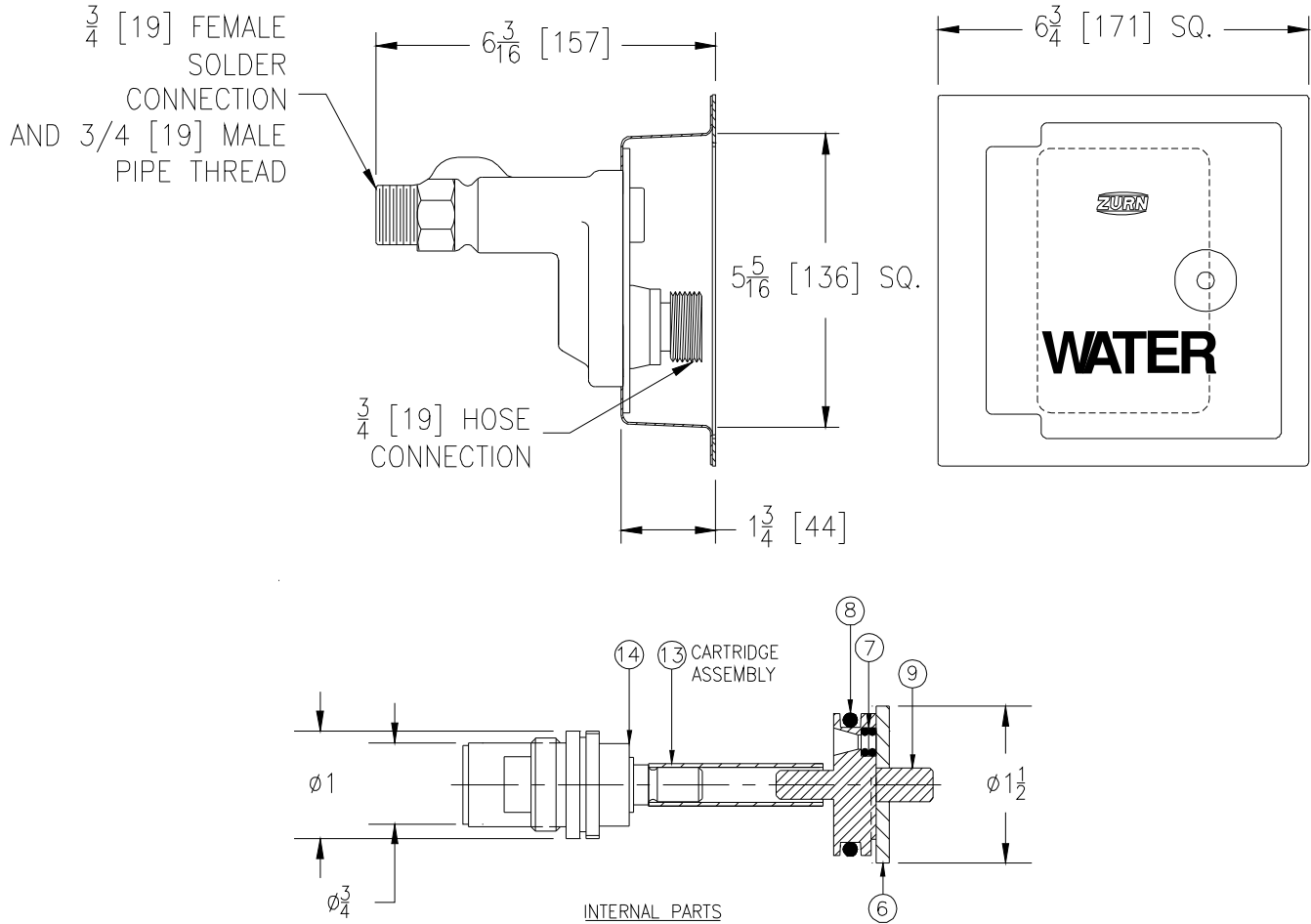
ECOLOTROL CERAMIC DISC WALL HYDRANT

Encased, Anti-Siphon, Automatic Draining, Moderate Climate

SPECIFICATION SHEET

TAG _____

Dimensional Data (inches and [mm]) are Subject to Manufacturing Tolerances and Change Without Notice



Wall Thickness In Inches	Approx. Wt. Lbs. [kg]
8 [203]	4 [2]

ENGINEERING SPECIFICATION: ZURN Z1330 Encased Ecolotrol "anti-siphon" wall hydrant, for moderate climate and interior wall installation. Complete with integral backflow preventer, all bronze interior parts with 1/2 turn ceramic disc cartridge and combination $\frac{3}{4}$ [19] female solder and $\frac{3}{4}$ [19] male pipe thread inlet. Stainless steel box and hinged cover with operating key lock and "WATER" stamped on cover.

OPTIONS (Check/specify appropriate options)

SUFFIXES

- ___ -CL Cylinder Lock
- ___ -NB Polished Nickel Bronze Face
- ___ -PB Polished Bronze Face
- ___ -RK Hydrant Parts Repair Kit
- ___ -RT12 Ceramic Cartridge Removal Tool (Up to 12 [305] Wall)
- ___ -34EL $\frac{3}{4}$ [19] IP 90° Solder Inlet Elbow
- ___ -34FIP $\frac{3}{4}$ [19] IP Straight Female Inlet Adapter

PARTS LIST

Item	Name	Quan.
14	Cartridge	1
13	Operating Tube	1
9	Operating Coupling	1
8	O-Ring	1
7	O-Ring	2
6	Retaining Washer	1

REV. F	DATE: 10/22/10	C.N. NO. 111940
DWG. NO. 58874	PRODUCT NO. Z1330	