



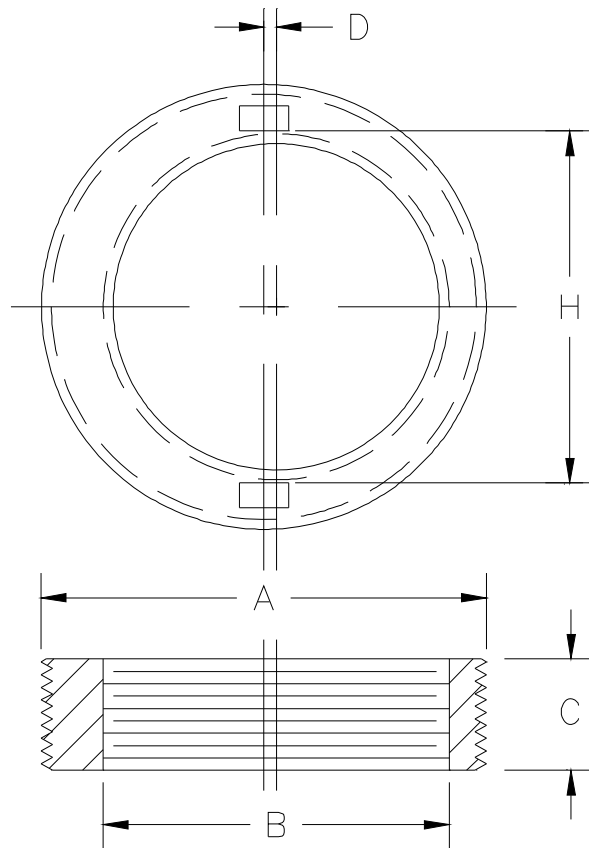
Z1034

FEMALE PIPE ECCENTRIC REDUCER

SPECIFICATION SHEET

TAG _____

Dimensional Data (inches and [mm]) are Subject to Manufacturing Tolerances and Change Without Notice



Dimensions In Inches					Approx. Wt. Lbs. [kg]
Pipe Size		C	D	H	
A	B				
3 [75]	2 [50]	7/8 [22]	3/16 [5]	2-5/8 [67]	1 [.5]
4 [100]	2 [50]		11/16 [17]	3 [76]	3 [1]
4 [100]	3 [75]	1-1/8 [28]	1/8 [3]	3-9/16 [90]	1.5 [1]

ENGINEERING SPECIFICATION: ZURN Z1034
Female pipe thread eccentric cast iron reducer.

CONNECTION

Male Thread x Female Thread (See Chart)

REV. D	DATE: 11/01/10	C.N. NO. 120191
DWG. NO. 58896	PRODUCT NO. Z1034	

*REGULARLY FURNISHED UNLESS OTHERWISE SPECIFIED