



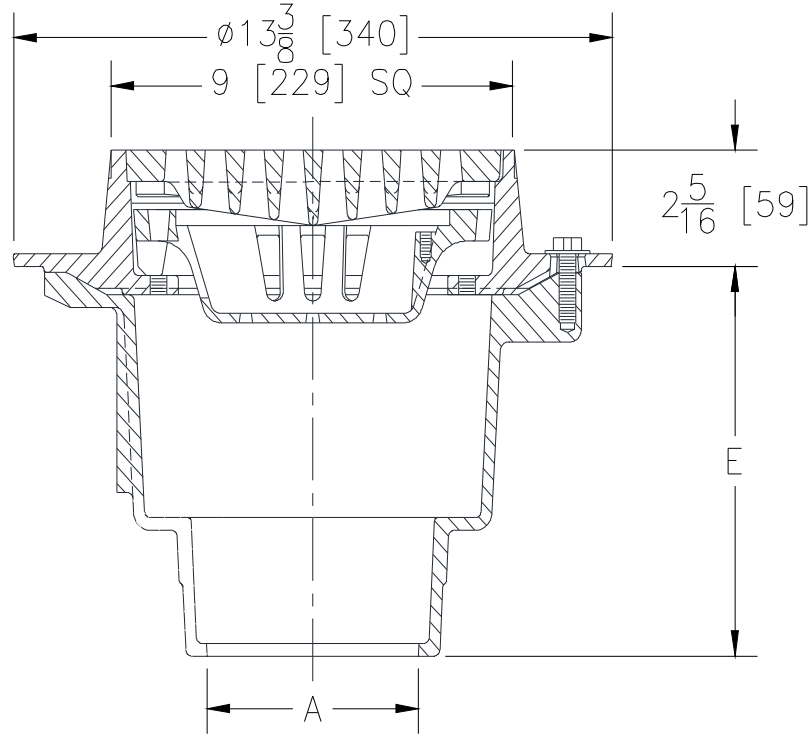
Z513

9 [229] SQUARE HINGED HEAVY-DUTY DRAIN

SPECIFICATION SHEET

TAG _____

Dimensional Data (inches and [mm]) are Subject to Manufacturing Tolerances and Change Without Notice



A- Pipe Size In.[mm]	Approx. Wt. Lbs. [kg]	Grate Open Area Sq. In. [cm ²]
3, 4 [51, 76, 102]	57 [26]	20 [129]

ENGINEERING SPECIFICATION: ZURN Z513

9" [229mm] Square top drain, Dura-Coated cast iron deep sump body with bottom outlet, seepage pan and combination flashing clamp and frame for hinged heavy- duty slotted grate with suspended sediment bucket.

OPTIONS (Check/specify appropriate options)

PIPE SIZE	(Specify size/type) OUTLET	'E' BODY HT. DIM.
3, 4 [76, 102]	___ NL Neo-Loc	6-5/8 [168]

PREFIXES

- ___ Z D.C.C.I. Body and Top*
- ___ ZB D.C.C.I. Body with Polished Bronze Top (Add 3/16 [5] to 2-5/16 [59] Dim. & 3/4 [19] to 9 [229] Dim.)
- ___ ZN D.C.C.I. Body with Polished Nickel Bronze Top (Add 3/16 [5] to 2-5/16 [59] Dim. & 3/4 [19] to 9 [229] Dim.)

SUFFIXES

- ___ -AR Acid Resisting Epoxy Coated Cast Iron
- ___ -G Galvanized Cast Iron
- ___ -HL Hinged Locking Grate
- ___ -P Trap Primer Connection
- ___ -SS Stainless Mesh Liner for Bucket
- ___ -TC Neo-Loc Test Cap Gasket (3, 4 [76, 102] NL Bottom Outlet Only)
- ___ -VP Vandal-Proof Secured Top

* Regularly furnished unless otherwise specified.