

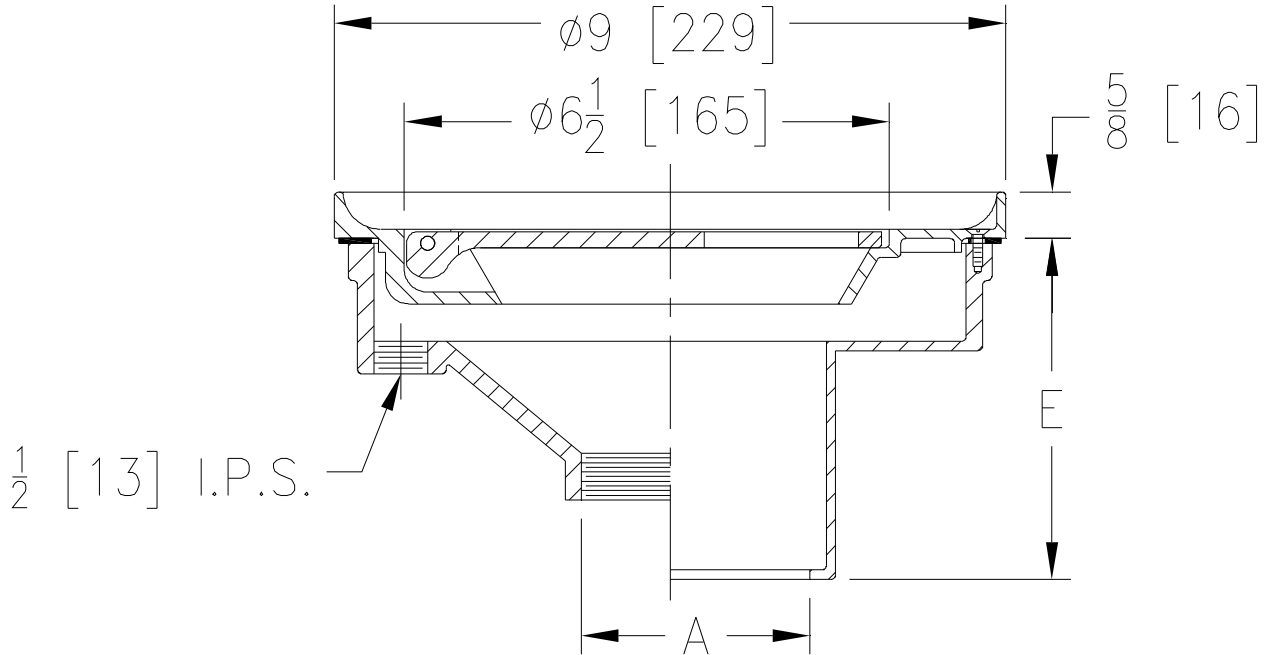


Z320
REFRIGERATOR DRAIN

SPECIFICATION SHEET

TAG _____

Dimensional Data (inches and [mm]) are Subject to Manufacturing Tolerances and Change Without Notice



A-Pipe Size Inches [mm]	Approx. Wt. Lbs. [kg]	Grate Open Area Sq. In [cm ²]
2, 3, 4 [51, 76, 102]	15 [7]	7-1/2 [48]

ENGINEERING SPECIFICATION: ZURN ZN320
9" [229mm] Refrigerator drain, cast iron body with white acid resistant epoxy coated interior, nickel bronze flushing rim top and recessed hinged grate.

OPTIONS (Check/specify appropriate options)

PIPE SIZE	(Specify size/type) OUTLET	'E' BODY HT. DIM.
2, 3, 4 [51, 76, 102]	___ IC Inside Caulk	4-1/2 [114]
2, 3, 4 [51, 76, 102]	___ IG Inside Gasket	4-1/2 [114]
2, 3, 4 [51, 76, 102]	___ IP Threaded	3-7/16 [87]

PREFIXES

___ ZN D.C.C.I. Body w/ A.R.C. Interior and Polished Nickel Bronze Top*

SUFFIXES

___ -G Galvanized Cast Iron
___ -VP Vandal Proof Secured Top

* Regularly furnished unless otherwise specified.