



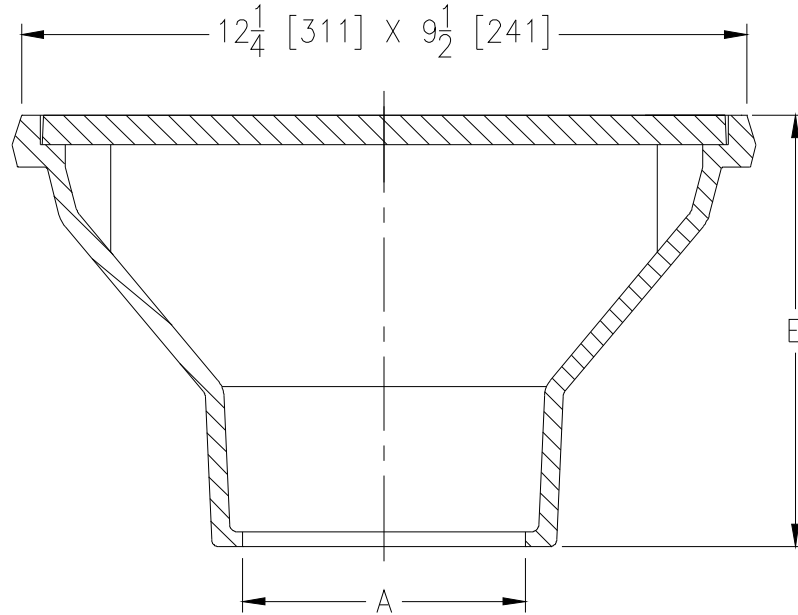
**Z587**

12-1/4 X 9-1/2 [311 X 241] MEDIUM-DUTY DRAIN

SPECIFICATION SHEET

TAG \_\_\_\_\_

Dimensional Data (inches and [ mm ]) are Subject to Manufacturing Tolerances and Change Without Notice



A - Pipe Size In [mm]	Approx. Wt. Lbs. [kg]	Grate Open Area Sq. In. [cm <sup>2</sup> ]
2, 3, 4 [51, 76, 102]	31 [14]	24 [155]

**ENGINEERING SPECIFICATION: ZURN Z587**

12-1/4" x 9-1/2" [311mm x 241mm] Top drain, Dura-Coated cast iron body with bottom outlet and medium-duty cast iron slotted grate.

**OPTIONS** (Check/specify appropriate options)

**PIPE SIZE**

2, 3, 4 [51, 76, 102]

(Specify size/type) **OUTLET**

\_\_\_ NH No-Hub

**'E' BODY HT. DIM.**

7-3/16 [183]

**PREFIXES**

\_\_\_ Z D.C.C.I. Body and Grate\*

**SUFFIXES**

- \_\_\_ -G Galvanized Cast Iron
- \_\_\_ -TS Top Secured with Slotted Screws
- \_\_\_ -VP Vandal-Proof Secured Top

\* Regularly furnished unless otherwise specified.