



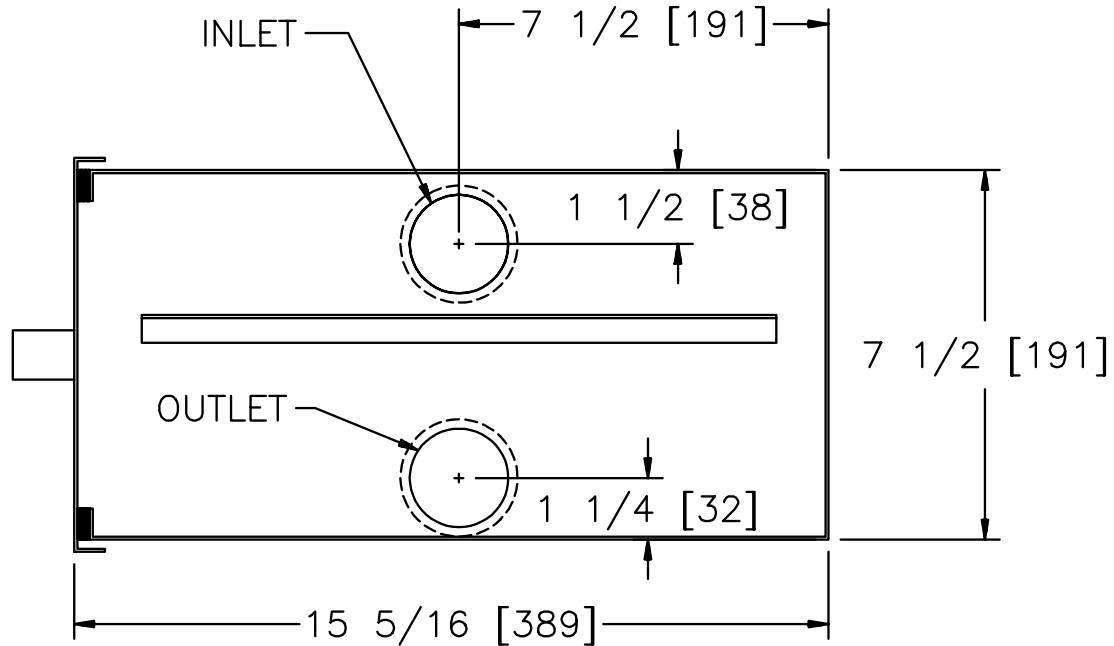
Z-1182

SIDE ACCESS SOLIDS INTERCEPTOR

SPECIFICATION SHEET

TAG _____

Dimensional Data (inches and [mm]) are Subject to Manufacturing Tolerances and Change Without Notice



WIDTH=11 1/2 [292]

Inlet/Outlet Inches	Flow Rate GPM [L]
2 [50]	35 [132]

ENGINEERING SPECIFICATION: ZURN Z-1182 Side access stainless steel solids interceptor for suspended or under sink installations where there are height restrictions for a top removal solids interceptor. Furnished with removable sediment basket attached to a removable, gasketed latched lid. All units have a high inlet and a low outlet on each side for right or left hand mounting.

OPTIONS (Check/specify appropriate options)

PREFIXES

____ ZS- Stainless Steel*

SUFFIXES

____ -YR Replacement Basket Assembly

REV. D	DATE: 3/14/01	C.N. NO. 87333
DWG. NO. 59266	PRODUCT NO. Z-1182	

*REGULARLY FURNISHED UNLESS OTHERWISE SPECIFIED