



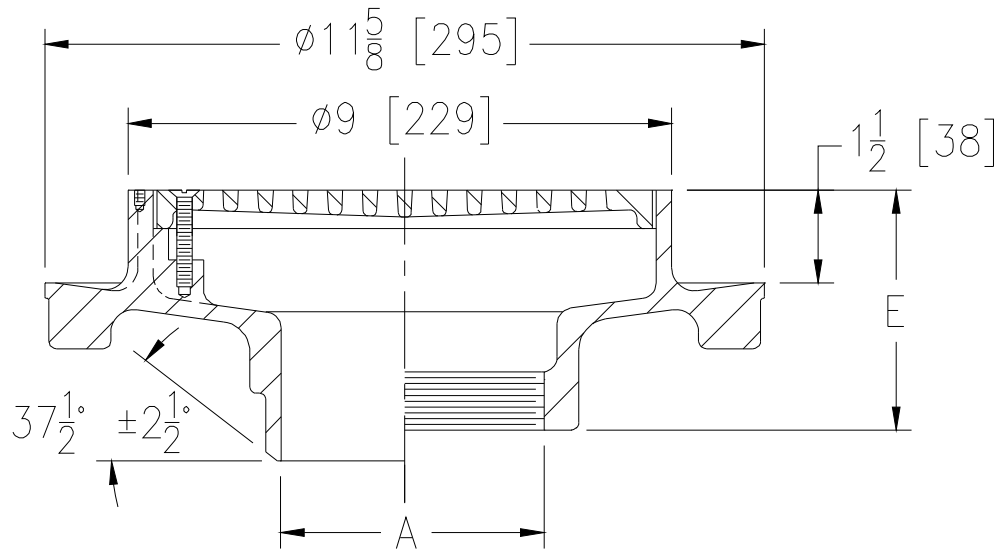
Z1730

9 [229] DIAMETER FLOOR DRAIN SHALLOW TYPE

SPECIFICATION SHEET

TAG _____

Dimensional Data (inches and [mm]) are Subject to Manufacturing Tolerances and Change Without Notice



A Pipe Size In.[mm]	Approx. Wt. Lbs. [kg]	Grate Open Area Sq. In. [cm ²]
2, 3, 4 [51, 76, 102]	20 [9]	21 [135]

ENGINEERING SPECIFICATION: ZURN Z1730

9" [229mm] Diameter shallow type heavy-duty floor drain, all Type 304 (CF8) stainless steel with integral anchor flange, and non-tilt grate with plain finish.

OPTIONS (Check/specify appropriate options)

PIPE SIZE

2, 3, 4 [51, 76, 102]

(Specify size/type) OUTLET

___ BW Butt-Weld
(Specify Schedule 10 or 40)

___ NH No-Hub

___ IP Threaded

'E' BODY HT. DIM.

4-13/16 [122]

4-13/16 [122]

4-13/16 [122]

PREFIXES

___ Z Type 304 (CF8) Stainless Steel Body*

___ ZM Type 316 (CF8M) Stainless Steel Body

SUFFIXES

___ -K Seepage Holes Only

___ -KC Clamp Collar with Seepage Holes

___ -TS Top Secured with Slotted Screws

___ -VP Vandal-Proof Secured Top

* Regularly furnished unless otherwise specified.